



ANN-LED Annunciator Module (542R/542D)

Features

- Listed to UL Standard 864, 9th Edition.
- ANN-LED connects to the ANN-BUS terminal on the AUTOPULSE 542R/542D Control Panel and requires minimal programming.
- Mounts in the DP-51050LED Dress Panel or in a separate enclosure.
- Provides three (3) LEDs for each zone: Alarm, Trouble and Supervisory.
- Can be remotely located up to 6,000 ft (1,829 m) from the panel.
- May be powered by 24 VDC from the host AUTOPULSE 542R/542D Control Panel or by remote power supply (requires 24 VDC).
- Up to eight (8) ANN-BUS devices may be connected to the ANN-BUS of the AUTOPULSE 542R/542D Control Panel.

Description

The ANN-LED annunciator module provides LED annunciation of general system faults and input zones/points when used with a compatible AUTOPULSE 542R/542D Control Panel. The ANN-LED module provides alarm (red), trouble (yellow) and supervisory (yellow) indication for up to ten (10) input zones or addressable points.

The ANN-LED is supplied standard with certain Canadian FACPs as required by ULC.

The ANN-LED and the AUTOPULSE 542R/542D Control Panel communicate over a two-wire serial interface employing the ANN-BUS communication format. An additional two wires are used for 24-volt DC power. A single four-conductor unshielded cable may be used for both power and data communications.

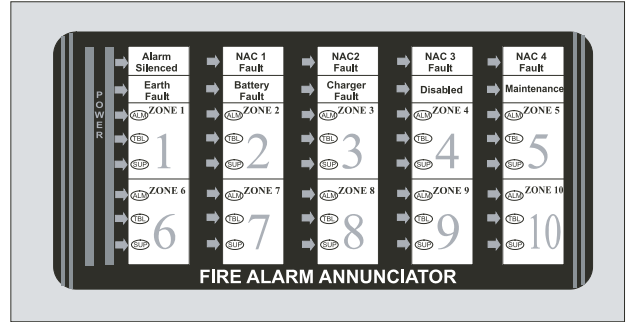
Up to eight (8) ANN-BUS devices may be connected to the ANN-BUS of the AUTOPULSE 542R/542D Control Panel.

ANN-BUS devices can be powered by an auxiliary power supply when available panel power is exceeded. See the AUTOPULSE 542R/542D manual for information.

Each ANN-BUS device requires a unique address (ID Number) in order to communicate with the AUTOPULSE 542R/542D Control Panel. A maximum of eight (8) devices can be connected to the AUTOPULSE 542R/542D Control Panel ANN-BUS communication circuit. See the AUTOPULSE 542R/542D manual for more information.

Specifications

- Maximum ANN-BUS Voltage: 24 VDC
- Maximum Current: Alarm: 68 mA Standby: 28 mA
- Maximum wiring distance from AUTOPULSE 542R/542D Control Panel: 6,000 ft (1,829 m)
- Ambient Temperature: 32 °F to 120 °F (0 °C to 49 °C)



008035

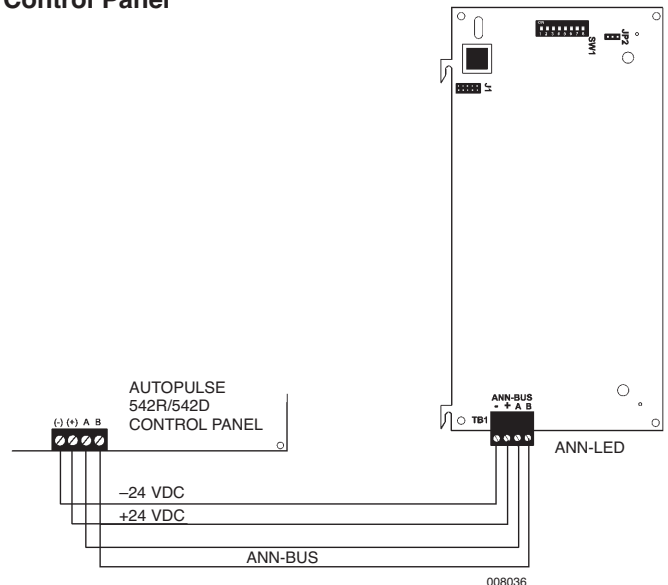
- Relative Humidity: 93% ± 2% RH (non-condensing) at 90 °F ± 3 °F (32 °C ± 2 °C)
- For use indoors in a dry location

Wire Requirements

The ANN-LED connects to the AUTOPULSE 542R/542D Control Panel ANN-BUS communications circuit. To determine the type of wire and the maximum wiring distance, calculate the total worst case current draw for all modules on a single 4-conductor bus. Use the table on the following page to determine the maximum distance the modules can be located from the AUTOPULSE 542R/542D Control Panel. In general, the wire length is limited by resistance, but for heavier wire gauges, capacitance is the limiting factor. These cases are marked in the chart with an asterisk (*). Maximum length can never be more than 6,000 ft (1,800 m), regardless of gauge used.

Note: Refer to the AUTOPULSE 542R/542D manual for wiring details and printer settings.

ANN-LED Connection to AUTOPULSE 542R/542D Control Panel



008036

Agency Listings and Approvals

UL S635
 CSFM 7165-0595:118
 MEA 333-07-E

Ordering Information

The ANN-LED module provides alarm (red), trouble (yellow) and supervisory (yellow) indication for up to ten (10) input zones or addressable points.

Part No.	Description	Shipping Weight	
		lb	(kg)
435359	ANN-LED Annunciator Module	3	(1.4)

Communication Pair Wiring Distance: AUTOPULSE 542R/542D Control Panel to Last ANN-BUS Module				
Total Worst Case Current Draw (amps)	22 Gauge	18 Gauge	16 Gauge	14 Gauge
0.100	1,852 ft (565 m)	4,688 ft (1,429 m)	*6,000 ft (1,829 m)	*6,000 ft (1.829 m)
0.200	926 ft (282 m)	2,344 ft (715 m)	3,731 ft (1,137 m)	5,906 ft (1,800 m)
0.300	617 ft (188 m)	1,563 ft (476 m)	2,488 ft (758 m)	3,937 ft (1200 m)
0.400	463 ft (141 m)	1,172 ft (357 m)	1,866 ft (569 m)	2,953 ft (900 m)
0.500	370 ft (113 m)	938 ft (286 m)	1,493 ft (455 m)	2,362 ft (720 m)
0.600	309 ft (94 m)	781 ft (238 m)	1,244 ft (379 m)	1,969 ft (600 m)
0.700	265 ft (81 m)	670 ft (204 m)	1,066 ft (325 m)	1,687 ft (514 m)
0.800	231 ft (70 m)	586 ft (179 m)	933 ft (284 m)	1,476 ft (450 m)
0.900	206 ft (63 m)	521 ft (159 m)	829 ft (253 m)	1,312 ft (400 m)
1.000 (max.)	185 ft (56 m)	469 ft (143 m)	746 ft (227 m)	1,181 ft (360 m)