

# Detection and Control Components



## New Series Photoelectric and Photoelectric/ Thermal Smoke Detectors (542R/542D)

### Features

- Plug-in detector line – mounting base included.
- Large wire-entry port.
- In-line terminals with SEMS screws.
- Mounts to octagonal and single-gang backboxes, 4 in. (102 mm) square backboxes, or directly to ceiling.
- ▶ Stop-Drop 'N Lock™ attachment to base.
- Removable detector cover and chamber for easy cleaning.
- Built-in remote maintenance signaling.
- Drift compensation and smoothing algorithms.
- Simplified sensitivity measurement.
- Wide-angle, dual-color LED indication.
- Loop testing via “EZ Walk” feature.
- Built-in test switch.

### Description

New Series photoelectric and photoelectric/ thermal smoke detectors represent a significant advancement in conventional detection, incorporating three key features: installation ease, intelligence, and instant inspection.

**Installation ease:** The New Series redefines installation ease with its plug-in design. This allows an installer to pre-wire the bases included with the heads. The large wire-entry port and in-line terminals provide ample room for neatly routing the wiring inside the base. The base accommodates a variety of backbox mounting methods, as well as direct mounting with drywall anchors. To complete the installation, New Series heads plug into the base with a simple Stop-Drop 'N Lock action.

**Intelligence:** New Series detectors offer a number of intelligent features to simplify testing and maintenance. Drift compensation and smoothing algorithms, to minimize nuisance alarms, are standard in the New Series. When connected to an AUTOPULSE 542R/542D Control Panel, two-wire New Series detectors are capable of generating a remote maintenance signal when they need cleaning. This signal is indicated by LEDs located at the AUTOPULSE 542R/542D Control Panel.

**Instant inspection:** The New Series provides wide-angle red and green LED indicators for instant inspection of detector condition. The LEDs indicate: normal standby, out-of-sensitivity, alarm, or freeze trouble conditions. The “EZ Walk” loop test feature is available on two-wire New Series detectors when connected to an AUTOPULSE 542R/542D Control Panel. The “EZ Walk” feature verifies the initiating loop wiring by providing LED status indication at each detector.



008037

### Physical Specifications

**Operating Temperature Range:** For models 2W-B and 4WB: 32 °F to 120 °F (0 °C to 49 °C); for thermal models 2WT-B and 4WT-B: 32 °F to 100 °F (0 °C to 38 °C).

**Storage Temperature Range:** -4 °F to +158 °F (-20 °C to +70 °C).

**Operating Humidity Range:** 10% – 95% RH, non-condensing.

**Thermal Sensor:** 135 °F (57 °C) fixed (models 2WT-B, 4WT-B).

**Freeze Trouble:** 41 °F (5 °C) (models 2WT-B and 4WT-B).

**Sensitivity:** 2.5%/ft (0.762%/meter) nominal.

**Input Terminals:** Utilize 14 to 22 AWG wire.

▶ **Dimensions (including base):** 5.3 in. (135 mm) diameter, 2.0 in. (51 mm) high.

**Weight:** 6.3 oz (178.6 grams).

▶ **Mounting Options:** 3.5 in. (89 mm) octagonal backbox; 4 in. (102 mm) octagonal backbox; single-gang backbox; 4 in. (102 mm) square backbox with a plaster ring; or direct mount to ceiling.

**Electrical Specifications**

**Operating Voltage:** 12/24 V non-polarized nominal; 8.5 V minimum; 35 V maximum.

**Maximum Ripple Voltage:** 30% of nominal (peak to peak).

**Standby Current:** 50  $\mu$ A maximum average. Peak standby current: for two-wire models: 100  $\mu$ A; not applicable for four-wire models.

**Maximum Start-Up Capacitance:** For two-wire models: 0.1  $\mu$ F; not applicable for four-wire models.

**Latching Alarm:** Reset by momentary power interruption.

**Maximum Initial Start-Up Time:** For two-wire models: 45 seconds; for four-wire models: 15 seconds.

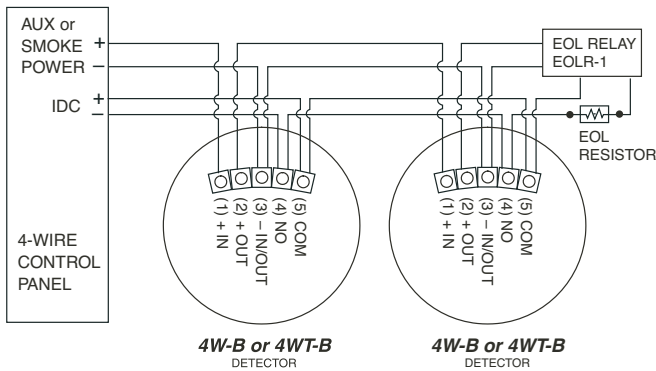
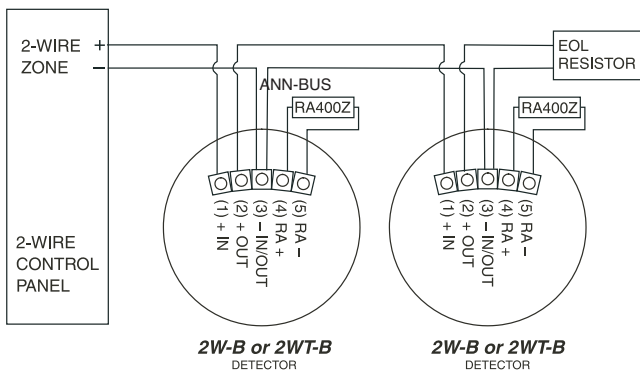
**Maximum Alarm Current:** For two-wire models: 130 mA limited by control panel; For four-wire models: 20 mA @ 12 V, 23 mA @ 24 V.

**Alarm Contact Ratings:** For four-wire models: 0.5 A @ 30 VAC/VDC; not applicable for two-wire models.

**Alarm Reset Voltage:** 2.5 V.

**Alarm Reset Time:** 0.3 seconds.

**Wiring Diagrams**



008038

LED Modes	Green LED	Red LED
Power Up	Blink every 10 seconds	Blink every 10 seconds
Normal (Standby)	Blink every 5 seconds	OFF
Out of Sensitivity	OFF	Blink every 5 seconds
Freeze Trouble	OFF	Blink every 10 seconds
Alarm	OFF	Solid ON
Power Up Sequence for LED Indication		
Condition		Duration
Initial LED Status Indication		80 Seconds
Initial LED Status Indication (if excessive electrical noise is present)		4 Minutes

**Agency Listings and Approvals**

UL Listed . . . . . S911  
 FM . . . . . Approved  
 CSFM . . . . . 7272-1653:152  
 MEA . . . . . 290-01-E  
 Maryland State Fire Marshal . . . . . Permit No. 2093  
 ETL . . . . . Approved  
 USCG. . . . . 161.002/A42/1

**Ordering Information**

Part No.	Description	Shipping Weight	
		lb	(kg)
435893	2W-B: Two-Wire Photoelectric Smoke Detector	1.5	(0.7)
435894	2WT-B: Two-Wire Photoelectric Smoke Detector with 135 °F (57 °C) Fixed Thermal Sensor	1.5	(0.7)
435895	4W-B: Four-Wire Photoelectric Smoke Detector	1.5	(0.7)
435896	4WT-B: Four-Wire Photoelectric Smoke Detector with 135 °F (57 °C) Fixed Thermal Sensor	1.5	(0.7)

Stop-Drop 'N Lock™ is a trademark of Honeywell International Inc.