

# FenwalNET™ -2000 Battery Enclosure



A UTC Fire & Security Company

F-74-230

## FEATURES

- UL Approved
- NEMA 1 Enclosure
- Door Lock
- Sturdy Steel Construction

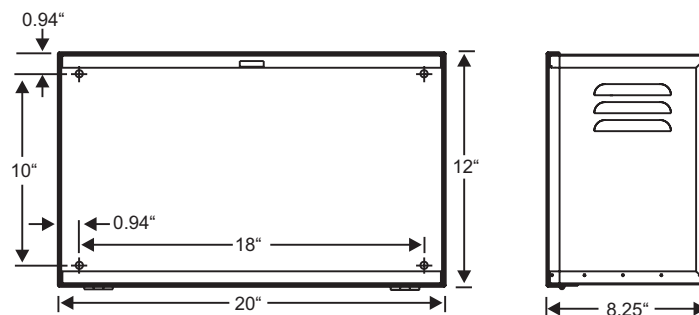
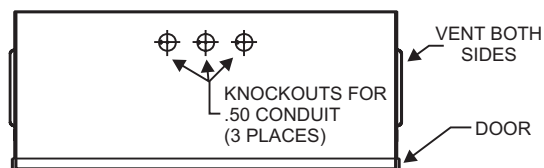
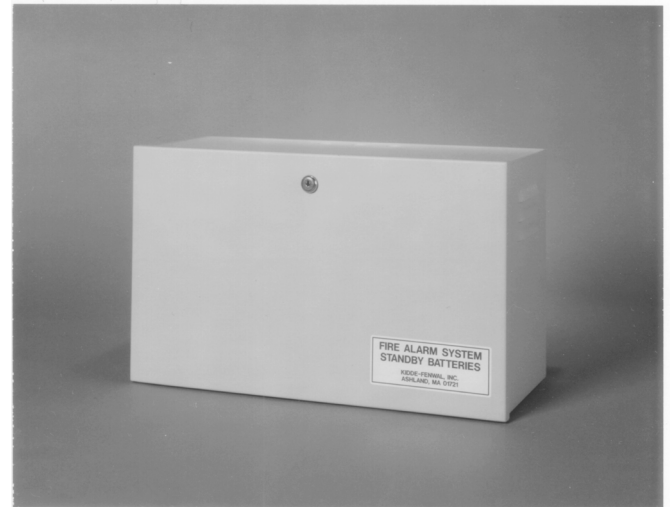
## DESCRIPTION

The FenwalNET™ system Battery Enclosure is designed to accommodate up to one pair of 12 volt 40 AH sealed lead acid batteries.

The enclosure is beige, identical in color to the Fenwal-NET system and expansion enclosures. The battery also has the same lock and key as the FenwalNET enclosures.

## ORDERING INFORMATION

Part No.	Description	Approximate Shipping Weight
74-100017-001	Enclosure-Battery	20 lbs.



This literature is provided for informational purposes only. KIDDE-FENWAL, INC. assumes no responsibility for the product's suitability for a particular application. The product must be properly applied to work correctly. If you need more information on this product, or if you have a particular problem or question, contact KIDDE-FENWAL, INC., Ashland, MA 01721. Telephone: (508) 881-2000.