

Output Driver Modules Models ATM-L and ATM-R



A UTC Fire & Security Company

F-74-236

FEATURES

- 32-Point Output Driver Modules
 - Model ATM-L for LEDs
 - Model ATM-R for Relays
- Up to 31 Driver Modules per FenwalNET System
- May be Located up to 4000 Feet from Control Unit
- ATM-L UL Listed/FM Approved for Use in any Listed/ Approved LED Annunciator
- ATM-R provides up to 80 mA per output to drive relays

DESCRIPTION

The Model ATM-L Annunciator Driver Module, P/N 74-300004-032, provides the FenwalNET Control Unit with up to 32 programmable outputs for remote LEDs, along with 6 system-level LEDs and 5 system-level functional switches.

The system-level LEDs correspond to the following general conditions:

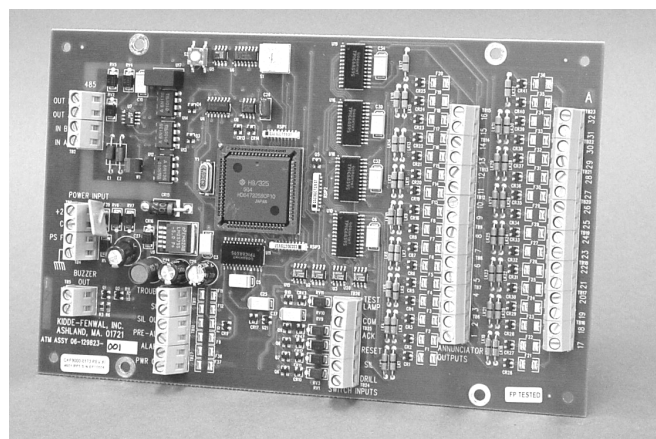
- Module Power
- Alarm
- Pre-Alarm
- Alarm Silence
- Supervisory
- Trouble

The functional switches provide for the following operator intervention:

- System Reset
- Event Acknowledgment
- Alarm Silence
- Fire Drill
- Lamp Test.

The Model ATM-R Relay Driver Module, P/N 74-300005-032, provides the FenwalNET Control Unit with up to 32 programmable outputs for remote relays.

The ATM-L and -R Modules communicate with the control unit via an external RS-485 communications circuit, with the most-remote module capable of being located up to 4,000 feet from the control unit. Up to 31 ATM-Ls and ATM-Rs, in any combination subject to the limitation of 16 for either type of ATM module, can be connected in a bus configuration to the RS-485 communications circuit.

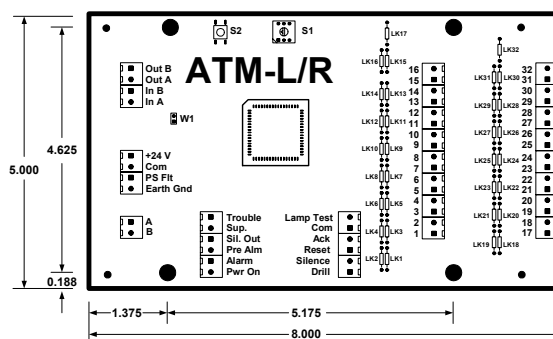


Both modules can be powered from a FenwalNET power supply, or from an external, regulated, and power-limited power supply Listed for use with fire-protective-signaling systems, depending upon the total load of the remote outputs. A typical external power supply is Fenwal P/N 89-300022-001.

INSTALLATION

The ATM-L Module is intended for mounting inside the enclosure of a UL-864 Listed remote annunciator. Use the mounting hardware provided with the module. Wire routing and installation methods are to be in accordance with the annunciator installation instructions.

The ATM-R is intended for mounting inside the enclosure of a UL-864 Listed accessories cabinet. Use the mounting hardware provided with the module. (See Figure 1.)



Note:
Maintain a minimum one-half (1/2) inch clearance around ATM-L and ATM-R Modules when installed in mounting enclosure.

Figure 1. Module Mounting Dimensions

SPECIFICATIONS

Operating Voltage:	16.0 to 28.8 Vdc (non-resettable)
Standby Current:	0.045 A
Output Activation:	Common Positive Individual-output negative pull downs
ATM-L Outputs:	
LED:	0.015 A maximum
Audible Appliance:	0.015 A maximum
ATM-R Outputs:	0.080 A maximum
Total Alarm Current:	Depends upon output load. Must be calculated for each application.
Supervised Power- Limited Wire Sizes:	
RS-485 Communications	#14 - #18 AWG, (Twisted, Shielded)
24 VDC Power	#14 - #18 AWG (as required)
LEDs	#18 AWG
Functional Switches	#18 AWG
Audible Appliance	#18 AWG
Power Supply Supervised Initiating Circuit	#14 - #18 AWG
Relays	#18 AWG

ORDERING INFORMATION

Part Number	Description	Shipping Weight
74-300004-032	Annunciator Terminal Module, Model ATM-L	2.0 lb.
74-300005-032	Relay Terminal Module, Model ATM-R	2.0 lb.

This literature is provided for informational purposes only. KIDDE-FENWAL, INC. assumes no responsibility for the product's suitability for a particular application. The product must be properly applied to work correctly. If you need more information on this product, or if you have a particular problem or question, contact KIDDE-FENWAL, INC., Ashland, MA 01721. Telephone: (508) 881-2000.



A UTC Fire & Security Company

400 Main Street
Ashland, MA 01721
Ph: 508.881.2000
Fax: 508.881.8920
www.fenwalfire.com