

Release Module



A UTC Fire & Security Company

F-74-206

FEATURES

- One Programmable Releasing Output
- Three Independently Programmable Class B, Style Y Notification Appliance Circuits
- FM-200, FE-13, Halon And Sprinkler Release Compatible
- Programmable For Initiators Or Solenoid-type Releasing Devices

DESCRIPTION

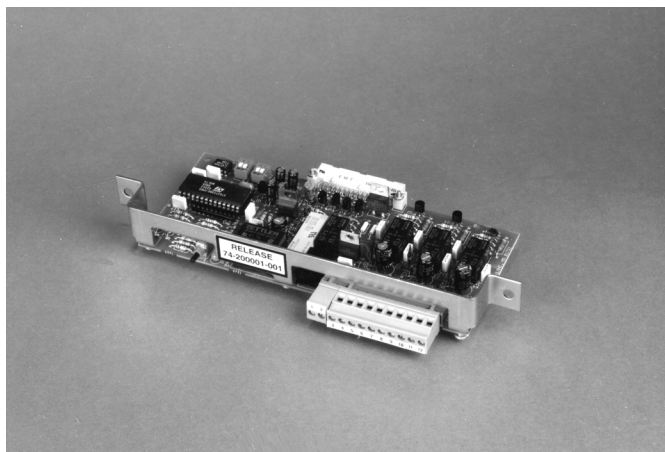
The Agent Release Module provides the **FENWALNET 2000™** system with one programmable release circuit and three Class B, Style Y notification appliance circuits. The release circuit is compatible with all **FENWAL** suppression systems, either solenoid or initiator based. The release circuit is also compatible with most popular sprinkler solenoids for sprinkler-release applications.

The release output circuit can be programmed for "single", "crossed" or "counting" zone style of activation. Time delay, abort and manual release sequences allow the output to be programmed for application-specific requirements.

Each notification appliance circuit delivers up to 2 Amps of 24 VDC power, substantial enough to meet the requirements of today's ADA / UL 1971 notification appliances. The three notification appliance circuits are individually programmable, allowing signaling at each phase of the release sequence.

The release module's output circuits are protected with self-restoring fuses that provide protection from short circuit conditions. The notification appliance circuits are supervised for open-and-short circuit conditions. The release circuit is supervised for open-circuit conditions.

The release module's connection to the system is supervised by the CCM. In the event of module removal, the system will display a communication trouble condition.



INSTALLATION

The Release Module is housed and secured in the I/O Motherboard Assembly. A maximum of eight release modules may be installed in the system.

TECHNICAL INFORMATION

| | |
|--------------------------------------|--|
| Release Output Rating: | 2 Amps @ 24VDC |
| Supervisory Current: | 25 mA, each module |
| Alarm Current: | 140 mA, for the programmable output interval |
| Notification Circuit: | 2 Amps @ 24VDC (each ckt) |
| Initiator Circuit Resistance: | 10 Ohms (Max.) |
| Release Output Type: | 90 seconds; 10 min. soak or 15 min. soak; On until reset |
| Operating Temperature: | 32°F - 120° F |

ORDERING INFORMATION

| Part Number | Description | Shipping Wt. |
|---------------|-------------------------------|--------------|
| 74-200001-001 | Release Module | 1 lb. |
| 06-129520-001 | EOL Resistors (Package of 50) | |

WIRING DIAGRAMS

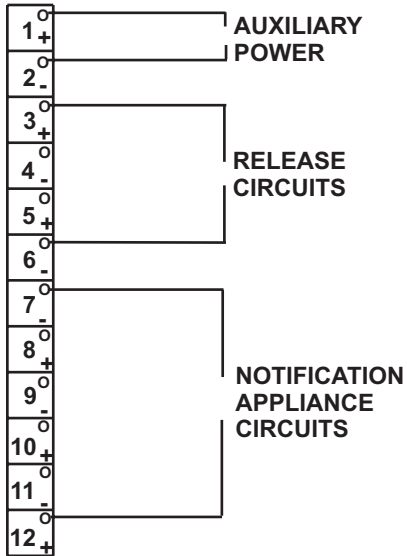


Figure 1. Relay Module Wiring Diagram

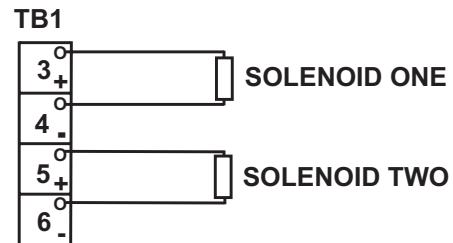
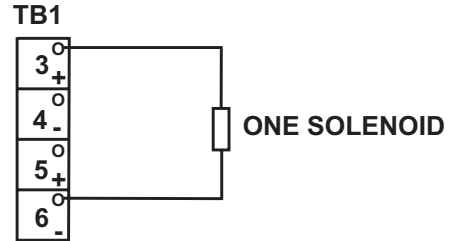


Figure 3. Release Solenoids

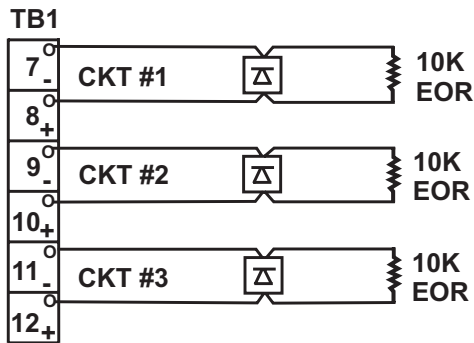
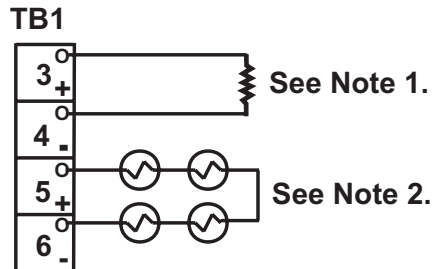


Figure 2. Notification Appliance Circuits



Notes:

1. Used to compensate for 10 OHMS maximum circuit resistance. Resistor must be rated at 1 Watt minimum.
2. Refer to FenwalNET™ 2000 Installation, Operation, and Maintenance Manual, P/N 74-200016-001, for the maximum number of initiators per circuit. The release circuit resistance must not exceed 10 OHMS, including cable resistance.

Figure 4. Initiator Release

This literature is provided for informational purposes only. KIDDE-FENWAL, INC. assumes no responsibility for the product's suitability for a particular application. The product must be properly applied to work correctly. If you need more information on this product, or if you have a particular problem or question, contact KIDDE-FENWAL, INC., Ashland, MA 01721. Telephone: (508) 881-2000.



A UTC Fire & Security Company

400 Main Street
Ashland, MA 01721
Ph: 508.881.2000
Fax: 508.881.8920
www.fenwalfire.com