

# Signal Audible Module



A UTC Fire & Security Company

F-74-204

## FEATURES

- Four Independently Programmable Notification Appliance Circuits
- Class A Or B Wiring
- Power Limited
- Self-restoring
- Coded Signals Per Circuit
- Fully Regulated Outputs

## DESCRIPTION

The **FENWALNET™ 2000** Signal Audible Module provides four programmable notification appliance circuits for use with UL Listed, 24 VDC polarized audible / visual notification appliances. The notification appliance circuits are independently programmable, which allows each circuit to annunciate separate events.

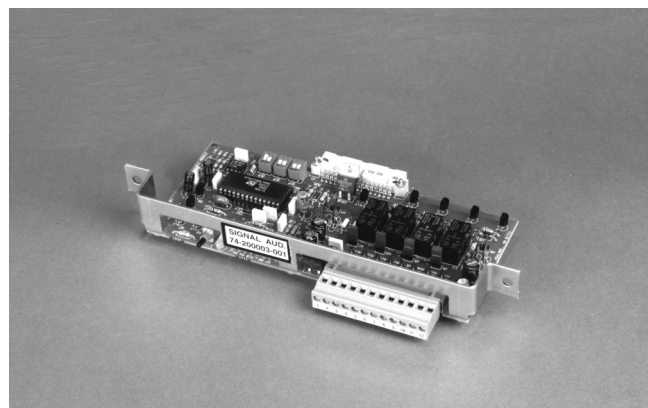
All outputs are power limited. The advanced circuitry design uses resettable fuses, eliminating the need to replace modules or components if the circuits are shorted or overloaded. As a result, downtime and maintenance costs are reduced.

The Signal Audible Module is capable of supporting Class B, Style Y and/or Class A, Style Z field wiring. Each circuit is completely supervised for open and short circuit conditions, and each output operates in the reverse-polarity fashion when activated. The notification appliance circuits are rated for 2 Amps.

The Signal Audible Module plugs into the input/output motherboard of the **FENWALNET 2000**, and is supervised for proper placement by the Central Control Module. Removal of the module will result in a trouble condition.

The **FENWALNET 2000** System supports up to 8 Signal Modules providing a maximum of 32 additional notification appliance circuits per system. Each module has power input terminals for connection to auxiliary power supplies when required. All of the module's outputs are synchronized for accurate activation of visual signaling appliances.

The notification appliance circuits are programmed for activation using the **FENWALNET 2000** System EOC program. Time delay and stepped signaling functions can be accommodated. In release applications, the notification appliance circuits can be programmed to provide pre-alarm, pre-release and release signaling.



Each circuit can be separately programmed for any one of the following coded outputs:

1. Continuous sounding
2. 60 Beats per minutes
3. 120 Beats per minute
4. Coded pattern per ANSI S3.41

Utilizing the unique **FAILSOFT™** design feature, the **FENWALNET 2000** can activate a notification appliance circuit even if the system experiences a failure in its main or peripheral microprocessors. Alarm signaling is therefore retained, even in a degraded mode of operation. This provides a redundant level of system operation which increases system reliability.

## TECHNICAL INFORMATION

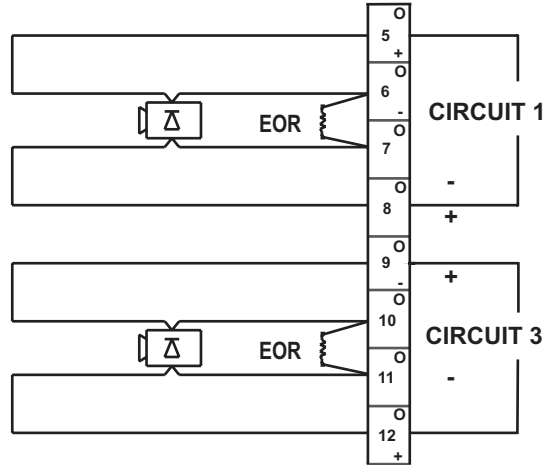
<b>No. Modules per System:</b>	8 Maximum
<b>Output Rating:</b>	2 Amps @ 24 VDC (each circuit)
<b>Operating Temperature:</b>	32°F - 120°F
<b>Wiring Styles:</b>	Class B, Style Y & Class A, Style Z

## ORDERING INFORMATION

Part Number	Description	Shipping Weight
74-200003-001	Signal Audible Module	1 lb.
06-129520-001	EOL Resistors (Package of 50)	

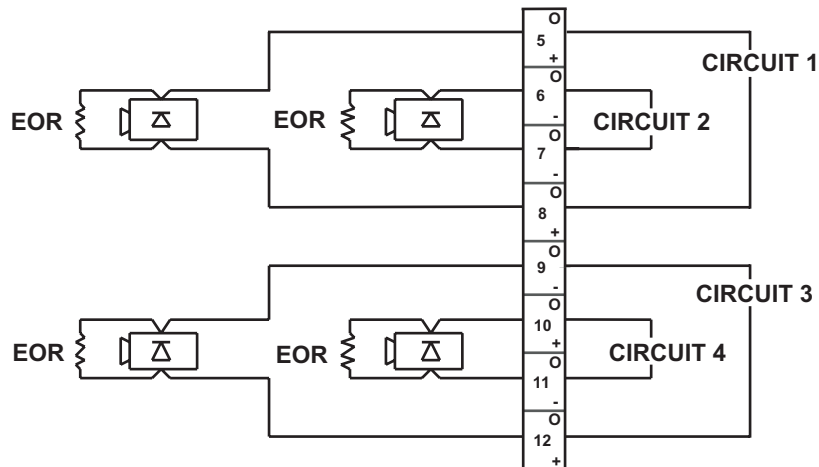
# WIRING DIAGRAMS

## Class A, Style Z Wiring



EOR=10K

## Class B, Style Y Wiring



EOR=10K

This literature is provided for informational purposes only. KIDDE-FENWAL, INC. assumes no responsibility for the product's suitability for a particular application. The product must be properly applied to work correctly. If you need more information on this product, or if you have a particular problem or question, contact KIDDE-FENWAL, INC., Ashland, MA 01721. Telephone: (508) 881-2000.