

Remote Display/Control Module Model RDCM



A UTC Fire & Security Company

F-74-601

FEATURES

- 80-Character LCD Display
- Up to 15 Modules per FENWALNET™ 6000 System
- May be located up to 4,000 Feet from Control Unit
- Full Complement of Functional Keys and LEDs

DESCRIPTION

The Model RDCM Remote Display/Control Module provides an additional point of event reporting and operator intervention/control for a FENWALNET 6000 system. It features an 80-character LCD display that duplicates all the information on the main-control-unit display.

The Model RDCM contains the following functional keys:

- Event Acknowledgement
- Alarm Silence
- System Reset
- Display Scroll.

There are twelve digit/navigation keys that enable full menu functionality.

The six system-level LEDs correspond to the following general conditions:

- Module Power
- Alarm
- Pre-Alarm
- Alarm Silence
- Supervisory
- Trouble

The Model RDCM communicates with the FENWALNET 6000 Control Unit via an external RS-485 communications circuit, with the most remote module capable of being located up to 4,000 feet from the control unit. Up to 15 RDCMs can be connected in a bus configuration to the RS-485 communications circuit.

The Model RDCM can be powered from a FENWALNET 6000 power supply, or from an external, regulated, and power-limited power supply Listed for use with fire-protective-signaling systems, depending upon the total load of the remote outputs. A typical external power supply is Fenwal® P/N 89-300022-001.



INSTALLATION

The Model RDCM is supplied in an enclosure that is suitable for surface or semi-flush mounting.

Refer to Figure 1 for module-mounting dimensions.

ELECTRICAL

Network Wiring:	Style 4, Supervised and Power-Limited
Wire Type:	Twisted, Shielded, Low-Capacitance, Fire-Alarm Wire (Recommended)
Wire Size:	#18 AWG (minimum)
Maximum Network Wiring Distance:	4,000 Feet
Communications:	Per RS-485 Standard
Operating Voltage:	24 VDC (nominal)
Standby Current:	0.064 A
Alarm Current:	0.085 A
Maximum RDCM: (per control unit)	15

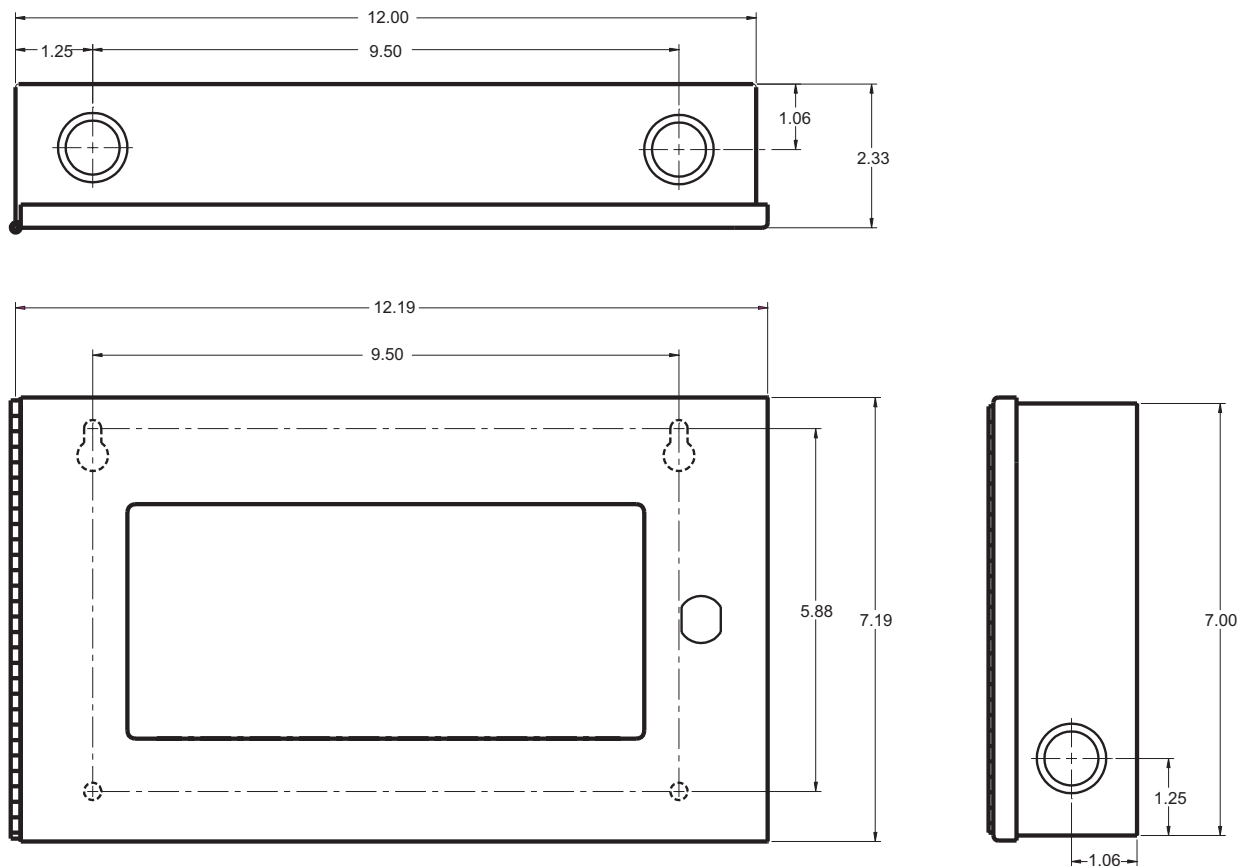


Figure 1. RDCM Mounting Dimensions

MECHANICAL

Dimensions: 12.19 in. W x 7.19 in. H x
2.33 in. D

Weight: 4.8 lbs.

ENVIRONMENTAL

Operating Temperature: 32°F(0°C) to 120°F(49°C)

Relative Humidity: 85% at 90°F
(non-condensing)

ORDERING INFORMATION

Part Number	Description
74-600000-005	RDCM in Blue Enclosure
74-600000-515	RDCM in Red Enclosure
74-600000-010	Blue Trim Ring
76-600000-010	Red Trim Ring

Fenwal is a registered trademark of Kidde-Fenwal, Inc.
FENWALNET is a trademark of Kidde-Fenwal, Inc.
All other trademarks are property of their respective owners.

This literature is provided for informational purposes only. KIDDE-FENWAL, INC. assumes no responsibility for the product's suitability for a particular application. The product must be properly applied to work correctly.
If you need more information on this product, or if you have a particular problem or question, contact KIDDE-FENWAL, INC., Ashland, MA 01721. Telephone: (508) 881-2000.



A UTC Fire & Security Company

400 Main Street
Ashland, MA 01721
Ph: 508.881.2000
Fax: 508.881.8920
www.fenwalfire.com