



## Explosion-Proof Abort Switch (IQ-318, IQ-636X-2, 542R, 542D)

### Applications

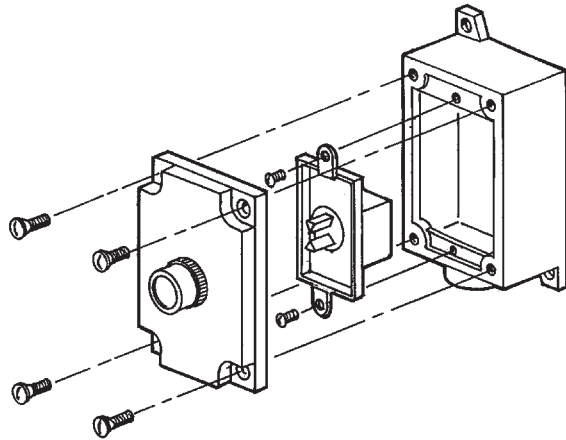
The Explosion-Proof Abort Switch is used to momentarily interrupt the release circuit signal when the control unit is in the alarm condition. As long as the abort push button is held in, the fire suppression system will not release. **(Note:** When the control unit is programmed for IRI compliance, the abort will not be effective after pre-discharge.) When the push button is released, the release circuit is activated (unless the control unit has been reset to the non-alarm condition).

### Description

The switch consists of a black push button operator, normally open and normally closed contacts, Despard Mounting Strap and screws. Switch operation is momentary contact – contacts transfer when operator is held in. Hub size is 3/4 inch. Enclosures and covers are made of cast, copper-free aluminum.

The Explosion-Proof Abort Switch is suitable for use in the following areas: Class I, Groups C and D; Class II, Groups E, F, and G; Class III; and NEMA 7 C D, 9 E F G.

### EXPLOSION-PROOF ABORT SWITCH



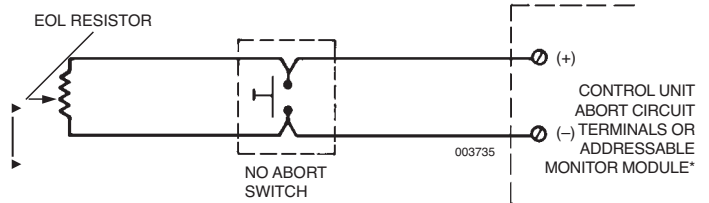
003576

### Technical Information

#### Dimensions:

- High: ..... 4 5/8 in. (117 mm)
- Wide: ..... 3 in. (76 mm)
- Deep: ..... 1 3/4 in. (45 mm)

### ABORT SWITCH (PARALLEL)



\* SEE CONTROL UNIT MANUAL FOR SPECIFIC WIRING REQUIREMENTS.

### Ordering Information

Part No.	Description	Shipping Weight	
		lb	(kg)
65956	Explosion-Proof Abort Switch	5	(2.3)