



## Key Maintenance Switch (IQ-318, IQ-636X-2, 542R, 542D)

### Features

- Stackable, screw-terminal, contact blocks
- Compatible with AUTOPULSE control units
- Surface-mount assemblies listed by Underwriters Laboratories, Inc.
- Components mounted on stainless steel switch plate

### Applications

The Key Maintenance Switch is used to interrupt the release circuit signal to the fire suppression system. It is key-operated to allow authorized personnel to deactivate the release circuit during service or maintenance. An indicator lamp, located on the switch plate, will light when the switch is in the "lock-out" mode to serve as a reminder that the release circuit has been disconnected.

### Description

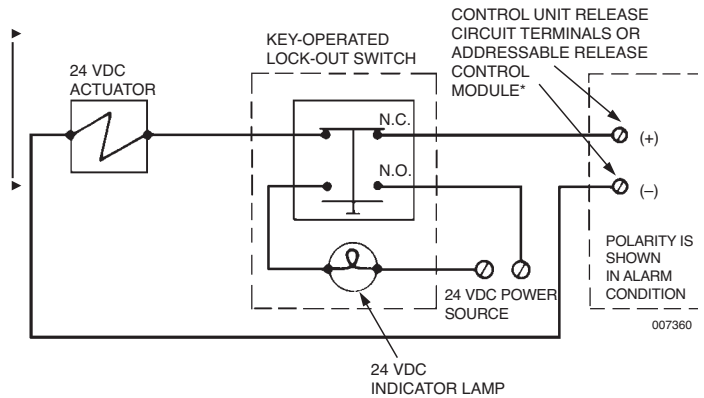
The Key Maintenance Switch assembly consists of a key-operated switch, 24 VDC indicator lamp, normally-open contact block, normally-closed contact block, and stainless steel switch plate with silk-screened label. Surface-mount assemblies include a double-gang weather-proof box and gasket.

The stackable, screw-terminal contact blocks are rated for 28 VDC @ 1.1 amp make/break or 6 amp continuous carry.

### Listings and Approvals

The switch is UL listed when installed in the surface-mount box (with gasket) that is provided with the surface-mount assembly.

TYPICAL WIRING DIAGRAM



\* SEE CONTROL UNIT MANUAL FOR SPECIFIC WIRING REQUIREMENTS.

### Ordering Information

Part No.	Description	Shipping Weight	
		lb	(kg)
76498	Maintenance Switch, Surface-Mount	2.0	(0.9)
76499	Maintenance Switch, Flush-Mount	2.0	(0.9)
436983	Extra Contact Block, N.C.	0.25	(0.11)
436982	Extra Contact Block, N.O.	0.25	(0.11)
436088	Spare Key	0.25	(0.11)

### MOUNTING DIMENSIONS

