



PS Series Battery Back Box (IQ-318, IQ-636X-2, 542R, 542D)

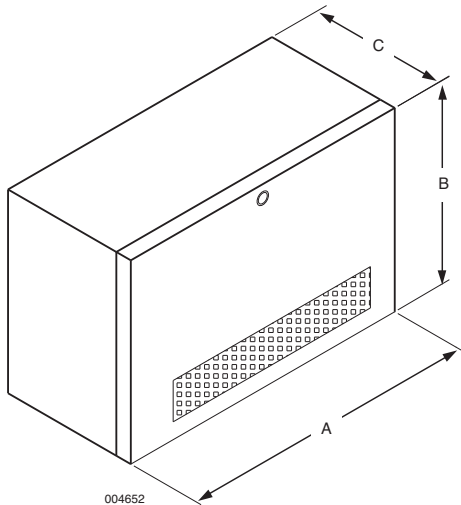
Description

The optional BB-17 battery back box is used with the AUTOPULSE IQ-318, the AUTOPULSE IQ-636X-2, the AUTOPULSE 542R and the AUTOPULSE 542D control units. The back box can be used for the remote mounting of two 12-volt batteries of up to 18 AH capacity.

The BB-25 battery back box holds the 25AH battery pack.

For larger batteries, the BB-55 battery back box holds up to two 60 AH batteries (12 volts).

BATTERY BACK BOX



	Dimensions		
	A – Width	B – Height	C – Depth
BB-17	14 1/2 in. (369 mm)	8 1/4 in. (210 mm)	4 3/4 in. (121 mm)
BB-25	24 in. (610 mm)	12 5/8 in. (321 mm)	5 1/4 in. (133 mm)
BB-55	24 1/8 in. (613 mm)	14 1/4 in. (362 mm)	7 13/16 in. (198 mm)

Note: When using battery back boxes, ensure the battery capacity does not exceed the rating of the control unit power supply. An auxiliary power supply may be required to charge larger batteries. Consult the control unit installation manual for maximum battery ratings.

Listings and Approvals*

UL	S635
ULC	
BB-17	CS118, CS733
Factory Mutual (FM)	
BB-17	0V4A5.AY
California State Fire Marshal (CSFM)	
BB-17	7165-0028: 164
BB-55	7165-0028: 181, 7170-0028: 182
MEA	
BB-17	104-93-E
BB-55	17-96-E

*Listings and Approvals are under NOTIFIER

Ordering Information

Part No.	Description	Shipping Weight	
		lb	(kg)
417468	BB-17, Battery Back Box, Black	10	(4.5)
418578	BB-17, Battery Back Box, Red	10	(4.5)
428079	BB-25, Battery Back Box, Black	15	(6.8)
419410	BB-55, Battery Back Box, Red	30	(13.6)