

## High Pressure Carbon Dioxide

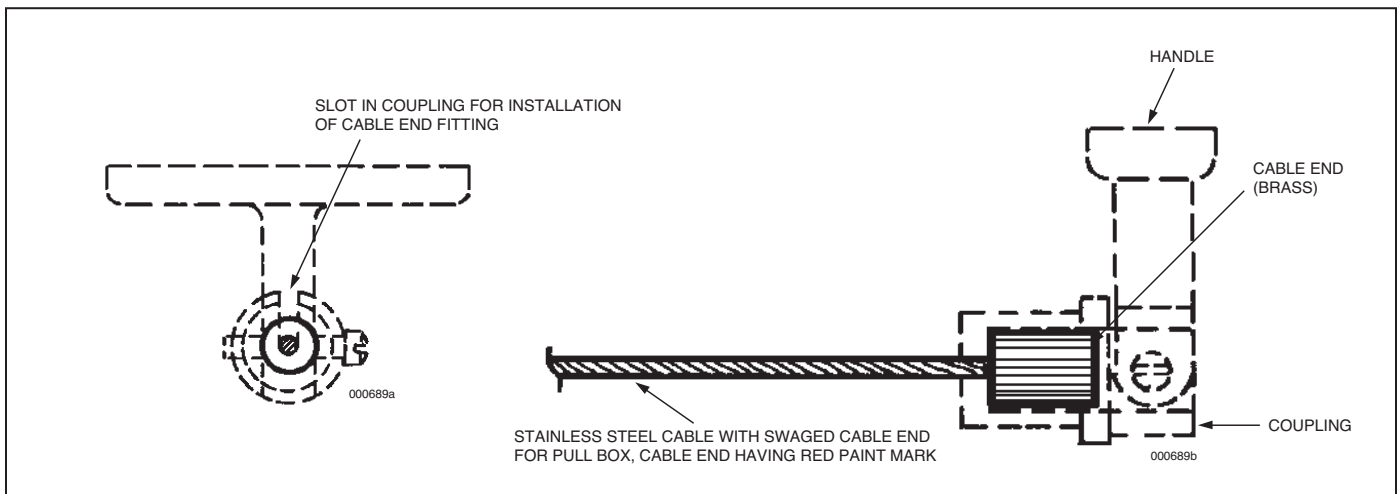
### Cable With Swaged End Fitting

#### Description

The 1/16 in. diameter cable is used to attach remote manual pull boxes to cylinder valves, pull equalizers, control boxes and selector valves. The cable is constructed of stranded, stainless steel wire. The cable is available in lengths of 50, 100, 150, and 200 ft (15.2, 30.5, 45.7, and 60.9 m). The cable assemblies include a brass swaged end fitting for attaching to the remote pull box.

Component	Material	Approvals
Cable Assembly	Cable: Stainless Steel Swaged Fitting: Brass	UL (EX-2968); Listed for use with FM Approved systems

Shipping Assembly Part No.	Description
42104	50 ft (15.2 m) 1/16 in. (0.16 cm) cable with swaged end fitting
42109	100 ft (30.5 m) 1/16 in. (0.16 cm) cable with swaged end fitting
42113	150 ft (45.7 m) 1/16 in. (0.16 cm) cable with swaged end fitting
42128	200 ft (60.9 m) 1/16 in. (0.16 cm) cable with swaged end fitting



**Note:** The strength of the end fitting exceeds the breaking point of the cable.