



A Tyco International Company

High Pressure Carbon Dioxide

CV-98 Cylinder Shipping Assembly

Description

The CV-98 cylinder is factory filled with carbon dioxide. A single cylinder may be used or multiple cylinders can be manifolded together to obtain the required quantity of agent for total flooding or local application methods. The CV-98 cylinder can be actuated electrically, pneumatically, and/or manually with approved valve actuation components.

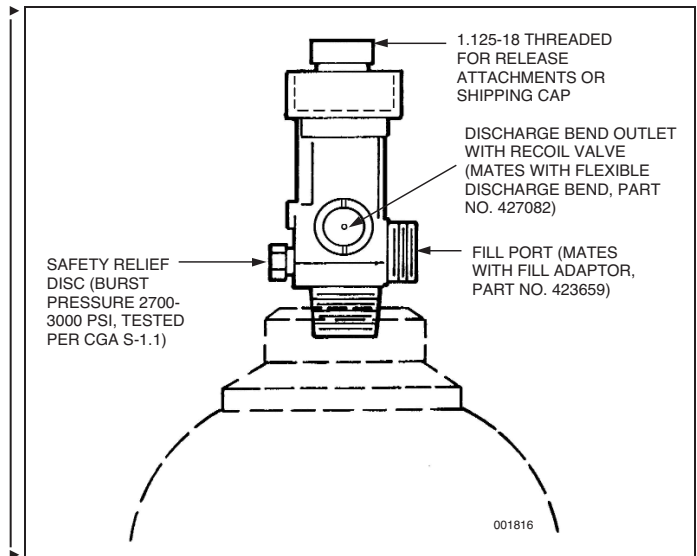
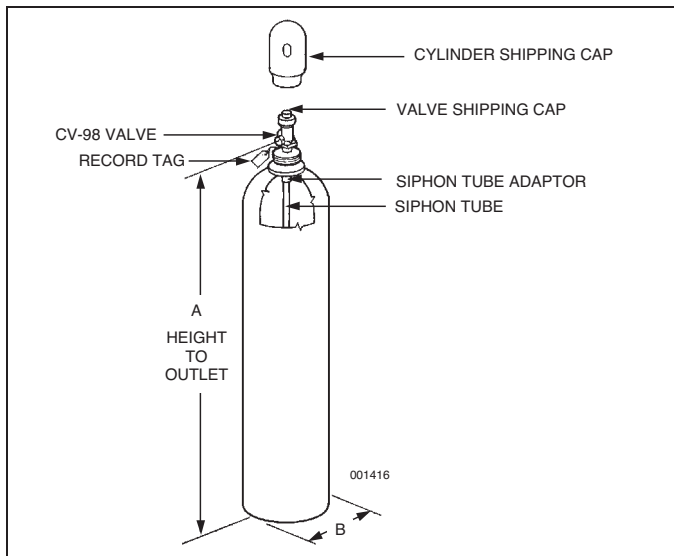
Note: Operational temperature range of 0-130 °F (-17.8-54.4 °C).

The cylinders are shipped with a maintenance record card and protective shipping cap attached to the threaded neck of each cylinder. This cap entirely encloses and protects the valve while in shipment.

The 35 and 50 lb (15.9 and 22.7 kg) cylinders are manufactured with a bent siphon tube which allows for either horizontal or vertical mounting. When mounting the cylinders in any position other than vertical, the safety relief of the valve must face upwards so the bottom opening of the siphon tube is directly downward, at the lowest point in the cylinder.

Component	Material	Thread Size/Type	Approvals and Standards
Cylinder	Steel	1-11 1/2 NPT, Female	Meets DOT 3A1800, 3AA1800, or 3AA2300; Also meets TC3AM138, TC3AAM138, TC3AM176, or TC3AAM176.
CV-98 Valve	Brass	1-11 1/2 NPT, Male x 1 5/16-12UN-3A Outlet Thread – Male	
Valve/Tank Assembly			UL; ULC (EX-2968) and listed for use with FM Approved Systems
Protective Shipping Cap	Steel	3.125-11 NS1, Female	

Shipping Assembly Part No.	Weight of CO ₂		Approximate Weight		Dimension A		Dimension B	
	lb	(kg)	lb	(kg)	in.	(mm)	in.	(mm)
Finish: Red Enamel Paint								
426246	75	(34.0)	215	(97.5)	57 3/4	(1467)	9 1/4	(235)
426149	100	(45.4)	286	(129.7)	60 1/4	(1530)	10 3/4	(273)
426612 (LC)	100	(45.4)	286	(129.7)	60 1/4	(1530)	10 1/2	(268)
428421	120	(54.4)	390	(176.9)	66 5/8	(1692)	11	(279)
Finish: Red Epoxy Paint								
426243	35	(15.9)	110	(49.9)	35 3/4	(908)	8 1/2	(216)
426245	50	(22.7)	155	(70.3)	52 3/4	(1340)	8 1/2	(216)
426247	75	(34.0)	215	(97.5)	57 3/4	(1467)	9 1/4	(235)
426613 (LC)	100	(45.4)	255	(115.7)	60 1/4	(1530)	10 1/2	(268)
428422	120	(54.4)	342	(155.1)	66 5/8	(1692)	11	(279)



Note: Use Flexible Discharge Bend (Part No. 427082) when attaching valve to supply pipe or manifold.

CV-98 CO₂ VALVE

The CV-98 valve has a ten (10) year warranty. The valve requires no internal maintenance. The valve is sealed closed and must never be disassembled. If there is ever a malfunction of the CV-98 valve, the complete valve must be sent back to ANSUL for warranty replacement. If the external seal is broken, the warranty is voided.