

High Pressure Carbon Dioxide

Direction/Stop Valves

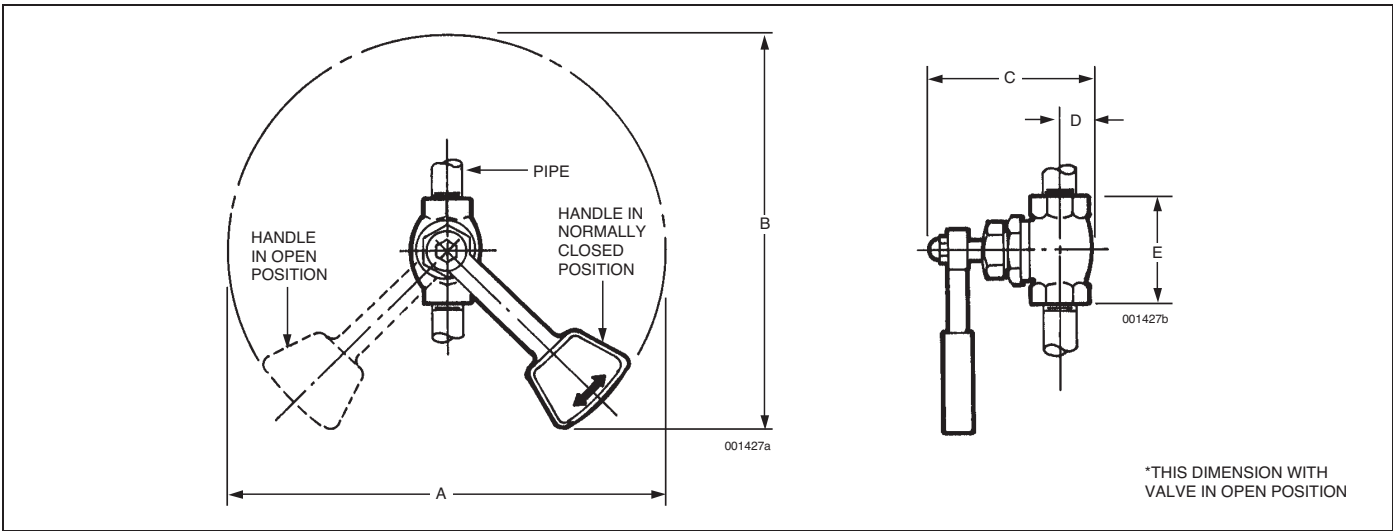
Description

Direction/stop valves are used to either manually control the flow of carbon dioxide into a hazard area or to manually control the flow into one of several hazards being protected by a common bank of carbon dioxide cylinders. These valves are operated manually, either by the use of a hand lever attached directly to the valve or by means of a remote manual pull box which will operate a sector

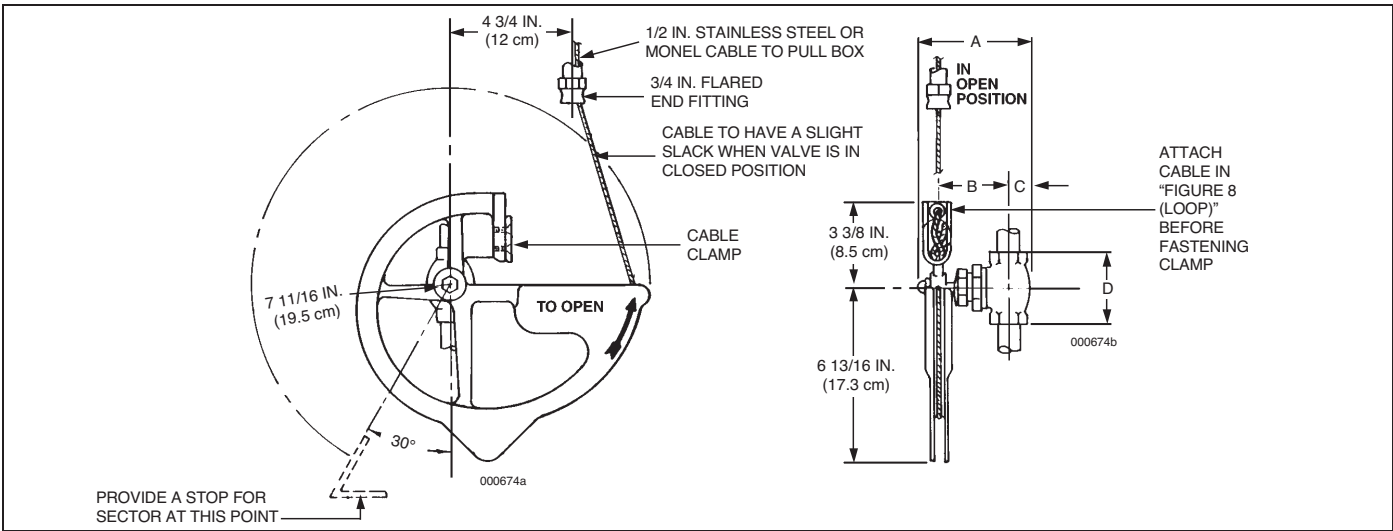
▶ attached to the valve. The valves are available in sizes ranging from 1/2 in. to 1 1/2 in. Each size can be used with a hand lever or a sector.

Component	Material	Thread Size/Type	Approvals
Direction/Stop Valve	Forged Brass	1/2 in. NPT Female	UL (EX-2968); Listed for use with FM Approved systems
Direction/Stop Valve	Forged Brass	3/4 in. NPT Female	UL (EX-2968); Listed for use with FM Approved systems
Direction/Stop Valve	Forged Brass	1 in. NPT Female	UL (EX-2968); Listed for use with FM Approved systems
Direction/Stop Valve	Forged Brass	1 1/4 in. NPT Female	UL (EX-2968); Listed for use with FM Approved systems
Direction/Stop Valve	Forged Brass	1 1/2 in. NPT Female	UL (EX-2968); Listed for use with FM Approved systems

Shipping Assembly Part No.	Description
41451	1/2 in. direction/stop valve (valve only)
41102	3/4 in. direction/stop valve (valve only)
41354	1 in. direction/stop valve (valve only)
41338	1 1/4 in. direction/stop valve (valve only)
41424	1 1/2 in. direction/stop valve (valve only)
40248	Handle – normally open (for use with 1/2 in. valve)
40267	Handle – normally open (for use with 3/4 in. and 1 in. valves)
46393	Handle – normally open (for use with 1 1/4 in. and 1 1/2 in. valves)
40238	Handle – normally closed (for use with 1/2 in. valve)
40239	Handle – normally closed (for use with 3/4 in. and 1 in. valves)
40259	Handle – normally closed (for use with 1 1/4 in. and 1 1/2 in. valves)
40276	Sector (for use with 1/2 in. valve)
40279	Sector (for use with 3/4 in. and 1 in. valves)
40281	Sector (For use with 1 1/4 in. and 1 1/2 in. valves)



Valve Size	A		B		C		D		E	
	in.	(cm)	in.	(cm)	in.	(cm)	in.	(cm)	in.	(cm)
1/2 in.	10	(25.4)	9 3/8	(23.8)	4 3/4	(12)	7/8	(2.2)	2 15/16	(7.4)
3/4 in.	14	(35.5)	12 3/4	(32.3)	5 5/8	(14.2)	1 1/8	(2.8)	3 5/8	(9.2)
1 in.	14	(35.5)	12 3/4	(32.3)	6 3/8	(16.1)	1 7/16	(3.6)	4 1/8	(10.4)
1 1/4 in.	17	(43.1)	15 5/8	(39.6)	7 7/8	(20)	1 11/16	(4.2)	5	(12.7)
1 1/2 in.	17	(43.1)	15 5/8	(39.6)	8 1/4	(20.9)	1 7/8	(4.7)	5 1/2	(13.9)



Valve Size	A		B		C		D	
	in.	(cm)	in.	(cm)	in.	(cm)	in.	(cm)
1/2 in.	4 3/4	(12)	3	(7.6)	7/8	(2.2)	2 15/16	(7.4)
3/4 in.	5 5/8	(14.2)	3 5/8	(9.3)	1 1/8	(2.8)	3 5/8	(9.2)
1 in.	6 5/16	(16)	4 1/8	(10.4)	1 7/16	(3.6)	4 1/8	(10.4)
1 1/4 in.	8 1/8	(20.6)	5 1/4	(13.3)	1 11/16	(4.2)	5	(12.7)
1 1/2 in.	8 1/4	(20.9)	5 3/8	(13.6)	1 7/8	(4.7)	5 1/2	(13.9)