



A Tyco International Company

High Pressure Carbon Dioxide

Discharge Nozzle – Baffle Type

Description

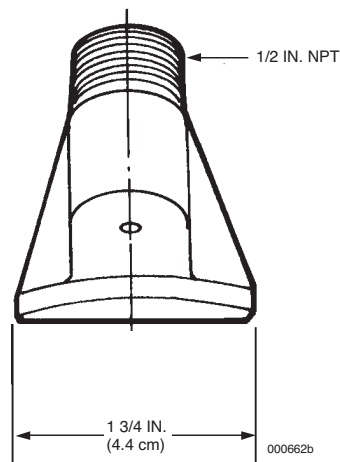
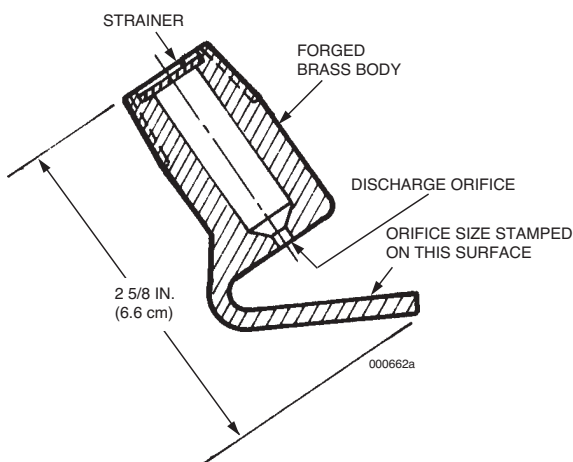
The baffle type nozzle is used in total flood applications only. Placed around the outside edge or placed near the ceiling approximately 15 to 20 ft (4.6 to 6.1 m) on centers in a room or any enclosed space, each nozzle provides a 180° fan spray of CO₂, spreading the extinguishing gas quickly and efficiently throughout the protected space.

Discharge rate depends upon nozzle pressure and orifice size. Baffle type nozzles are available in orifice sizes 1 through 16. The nozzle is supplied in natural brass.

Note: When ordering, specify orifice code required:
Example – Part No. 426121 – 10.5.

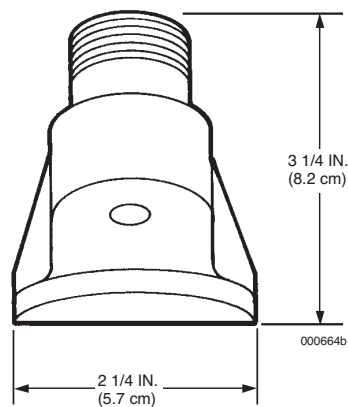
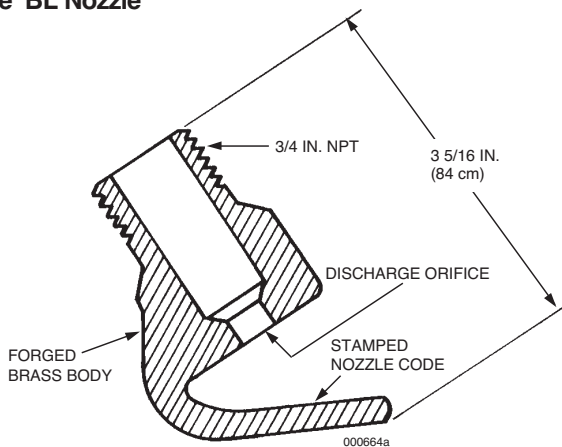
Component	Material	Thread Size/Type	Orifice Size	Approvals
Baffle Type with Strainer	Nozzle: Brass Strainer: Monel	1/2 in. NPT Male	1 through 3	UL (EX-2968); Listed for use with FM Approved systems
Baffle Type	Brass	1/2 in. NPT Male	3.5 through 14	UL (EX-2968); Listed for use with FM Approved systems
Baffle Type BL	Brass	3/4 in. NPT Male	9 through 16	UL (EX-2968); Listed for use with FM Approved systems

Baffle Type Nozzle With or Without Strainer (Baffle Type with Strainer)



Shipping Assembly Part No.	Description	Orifice Code
426119	Baffle type with strainer nozzle	1 – 3
426120	Baffle type without strainer	3.5 – 14

Baffle Type BL Nozzle



Shipping Assembly Part No.	Description	Orifice Code
426121	Baffle type BL nozzle	9 – 16