

High Pressure Carbon Dioxide

Dual/Triple Control Boxes

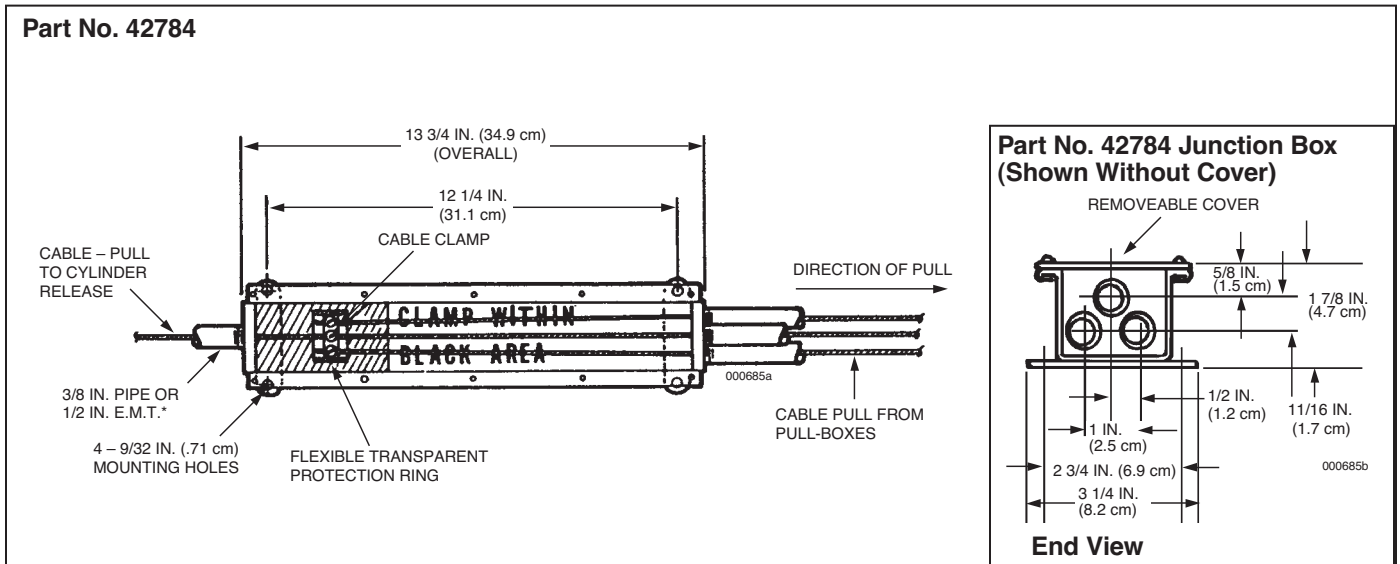
Description

The dual/triple control boxes allow manual actuation of a cylinder valve or a sector valve from two or three remote pull boxes. Two styles of control boxes are available. Part No. 42784 is 13 3/4 in. (34.9 cm) and Part No. 43166 is 20 3/4 in. (52.7 cm) long. Both styles can be used for cylinder valve actuation but only Part No. 43166 can be used for sector valve operation. The sector valve operation requires a longer cable travel which can only be accomplished by the longer control box. The inlet and outlet connections are threaded for 3/8 in. pipe. If 1/2 in. EMT conduit connections are required, adaptor Part No. 45780 is available.

- ▶ All operated components must use the same travel distance
- ▶ when the dual/triple control boxes are employed.

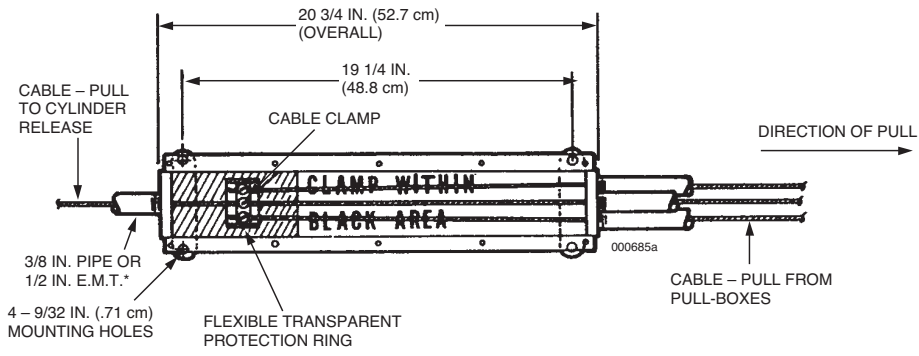
Shipping Assembly Part No.	Description
42784	Dual/triple control box (short)
43166	Dual/triple control box (long)

Component	Material	Thread Size/Type	Approvals
Control Box (short)	Steel	3/8 in. NPT Female	UL (EX-2968); Listed for use with FM Approved systems
Control Box (long)	Steel	3/8 in. NPT Female	UL (EX-2968); Listed for use with FM Approved systems

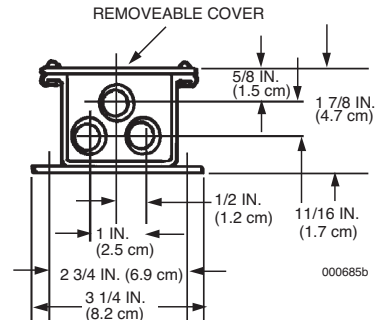


* Adaptors furnished for use with 1/2 in. EMT – Part No. 45780

Part No. 43166



**Part No. 43166 Junction Box
(Shown Without Cover)**



End View

* Adaptors furnished for use with 1/2 in. EMT - Part No. 45780