

High Pressure Carbon Dioxide

Hose Reels

Description

The carbon dioxide hose reel can be used in areas that normally do not require fixed pipe systems, or as a back up to a fixed pipe system. When used as a back up, provisions must be made to have self-contained breathing apparatus available for anyone entering the hazard area immediately after the fixed system discharge. Hose reels are available

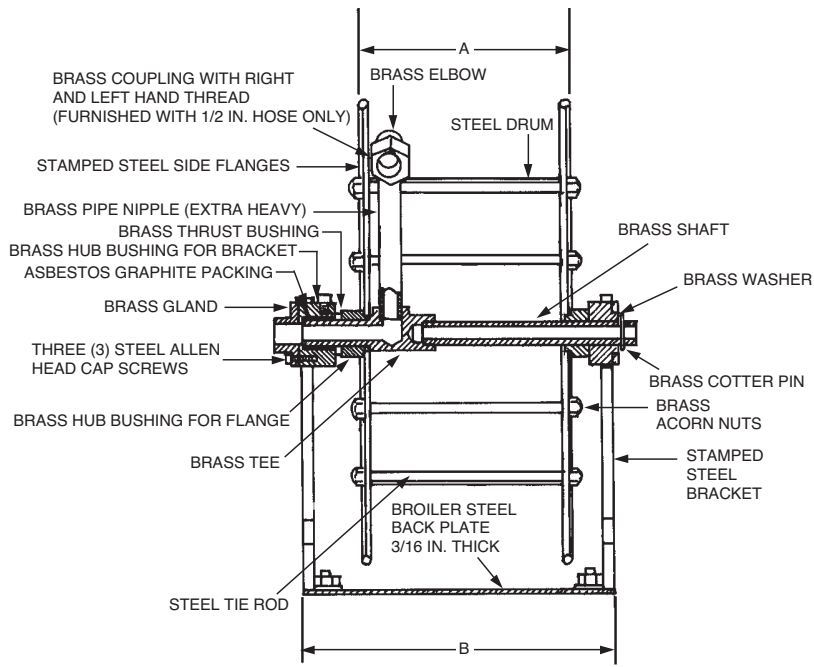
- ▶ with hose lengths ranging from 50 ft to 100 ft (15.2 m to 30.5 m).

The complete hose reel is finished in red enamel.

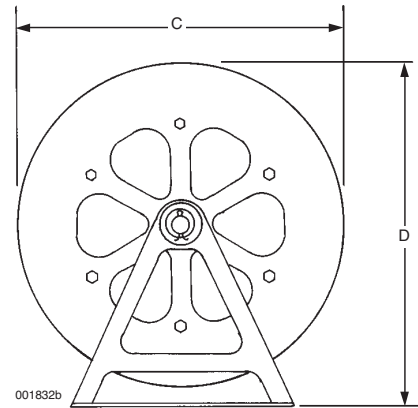
| Component | Material | Thread | Approvals |
|-----------|---------------------------|--------------------|---|
| Hose Reel | Steel With Brass Fittings | 3/4 in. NPT Female | UL (EX-2968); Listed for use with FM Approved systems |

| Shipping Assembly Part No. | Description |
|----------------------------|--|
| ▶ 41519 | Hose reel with 50 ft (15.2 m) of 1/2 in. (1.3 cm) hose |
| ▶ 41520 | Hose reel with 75 ft (22.9 m) of 1/2 in. (1.3 cm) hose |
| ▶ 41524 | Hose reel with 50 ft (15.2 m) of 3/4 in. (1.9 cm) hose |
| ▶ 44967 | Hose reel with 100 ft (30.5 m) of 3/4 in. (1.9 cm) hose |
| ▶ 42303 | Volume discharge horn for 1/2 in. hose – 75 lb (34 kg) systems and larger |
| ▶ 40237 | Upper bracket (one required) |
| ▶ 41807 | Lower bracket (Use two per projector horn and one per volume discharge horn) |
| ▶ 41924 | Operating instructions – for systems less than 100 lb (45.4 kg) |
| ▶ 41923 | Operating instructions – for systems 100 lb (45.4 kg) or larger |
| ▶ 42227 | 1/2 in. hose assembly – 25 ft (7.6 m) (replacement) |
| ▶ 42228 | 1/2 in. hose assembly – 50 ft (15.2 m) (replacement) |
| ▶ 42224 | 1/2 in. hose assembly – 75 ft (22.9 m) (replacement) |
| ▶ 42222 | 3/4 in. hose assembly – 50 ft (15.2 m) (replacement) |
| ▶ 46604 | 3/4 in. hose assembly – 100 ft (30.5 m) (replacement) |

Hose Reel – Sectional View

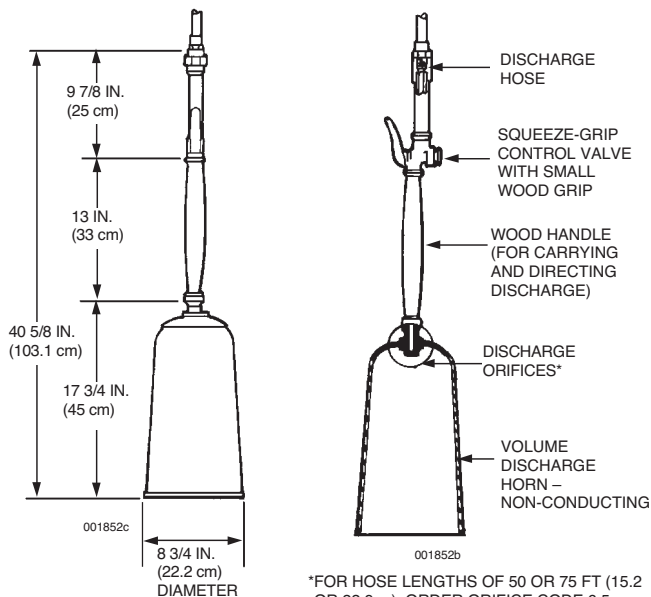


Hose Reel – Side View

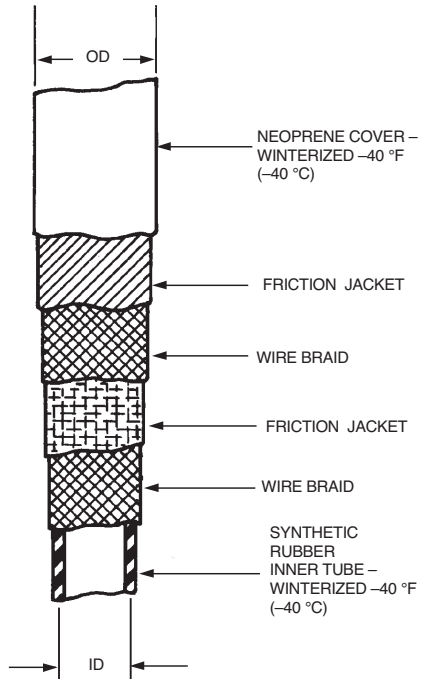


| Hose Capacity | Hose Reel Dimensions | | | | | | | |
|--|----------------------|------|--------|------|--------|------|--------|------|
| | A | | B | | C | | D | |
| | in. | (cm) | in. | (cm) | in. | (cm) | in. | (cm) |
| Up to 75 ft (22.9 m) of 1/2 in. (1.3 cm) hose | 8 | (20) | 12 3/8 | (31) | 20 | (51) | 21 1/2 | (55) |
| Up to 50 ft (15.2 m) of 3/4 in. (1.9 cm) hose | 8 | (20) | 12 3/8 | (31) | 20 | (51) | 21 1/2 | (55) |
| 75 to 100 ft (22.8 to 30.4 m) of 1/2 in. (1.2 cm) hose | 12 | (31) | 16 3/8 | (42) | 20 | (51) | 21 1/2 | (55) |
| 50 to 75 ft (15.2 to 22.8 m) of 3/4 in. (1.9 cm) hose | 12 | (31) | 16 3/8 | (42) | 20 | (51) | 21 1/2 | (55) |
| 75 to 100 ft (22.8 to 30.4 m) of 3/4 in. (1.9 cm) hose | 14 | (36) | 20 1/4 | (51) | 23 1/2 | (60) | 25 3/4 | (65) |

Volume Discharge Horn – Part No. 42303 for 1/2 in. Hose



**Extra Heavy Flexible Hose –
Wire Reinforced High Pressure Type**



001843

| Flexible Hose | OD | | ID | |
|---------------|-------|-------|-----|-------|
| | in. | (cm) | in. | (cm) |
| 1/2 in. Hose | 1 | (2.5) | 1/2 | (1.3) |
| 3/4 in. Hose | 1 1/4 | (3.2) | 3/4 | (1.9) |