

High Pressure Carbon Dioxide

Lever Release Actuator

Description

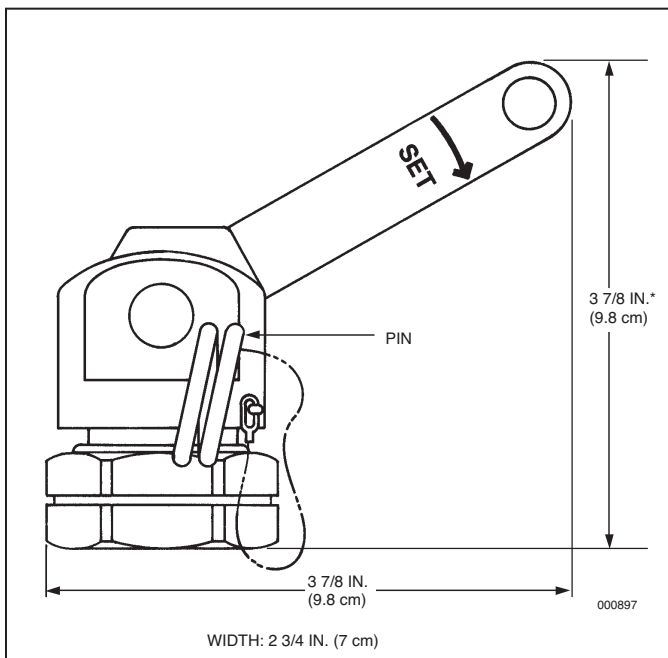
The manual lever release actuator provides a manual means of actuating cylinder valves and selector valves. This can be accomplished by direct manual actuation of its pull lever or cable actuation when used in conjunction with a remote manual pull station. When used with a remote manual pull station, the pull station must contain the components necessary to meet the actuator lever traveling requirements of 7 in. (178 mm) and not exceed 40 lb (18 kg) to operate.

The actuator is shipped with ring pin and chain attached. If the ring pin is not required, it must be removed. Failure to remove the ring pin/chain assembly will prevent system actuation if a remote cable pull actuation system is employed and the ring pin is accidentally installed in the actuator.

Three actuators are available. Each is designed for a specific component.

Component	Material	Approvals
All Manual Cable-pull Actuators	Brass with Stainless Steel Pin	Listed for use with FM Approved systems; UL Listed (EX-4510)

Shipping Assembly Part No.	Description
423309	Lever Release (1 1/8-18 mounting thread) – Mounts directly to a CV-98 cylinder valve.
70846	Lever Release (1 1/4-18 mounting thread) – Mounts directly to an HF electric actuator.
427207	Lever Release (1 1/8-18 mounting thread) – Mounts directly to the 1 in., 2 in., 3 in., and 4 in. selector valves. Mounts directly to pressure operated stackable actuator (Part No. 428566). Actuator has the handle painted red.



* Add 1 9/16 in. (3.9 cm) to height when lever is in the straight up position.

Note: The lever actuator used on a CV-90 valve must not be used on a CV-98 valve.