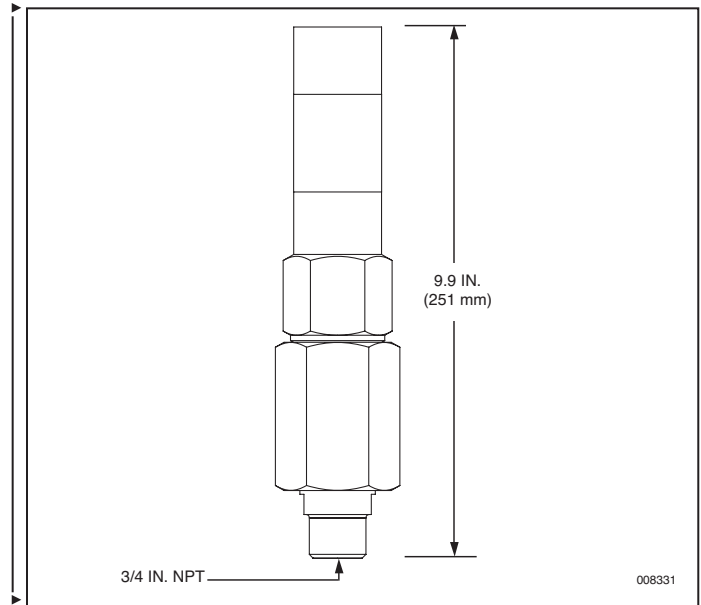


High Pressure Carbon Dioxide

Odorizer

Description

The odorizer is used to inject a small amount of wintergreen scent into the carbon dioxide while flowing through the piping network. When the carbon dioxide discharges into the hazard area, it will carry a scent of wintergreen with it. This wintergreen scent is a warning to personnel entering the hazard area that the area contains a concentration of carbon dioxide and precautions must be taken, either leave the area immediately or secure proper breathing apparatus. The internal ampoule containing the oil of wintergreen in the odorizer must be replaced after each system discharge.



| Shipping Assembly Part No. | Description |
|----------------------------|---|
| 42278 | Odorizer |
| 42284 | Replacement ampoule (includes burst disc) |
| 428271 | Replacement burst disc assembly (included with 42284) |

| Component | Material | Thread Size/Type | Approvals |
|-----------|----------|------------------|--|
| Odorizer | Steel | 3/4 in. NPT Male | UL (EX-2968); Listed for use with FM Approved systems |

ODORIZING UNIT

Part No. 42278

INSTALL UNIT UPRIGHT

AFTER USE, REMOVE ASSEMBLY AND UNSCREW RUPTURED BURST DISC. REMOVE CAP AND CLEAN OUT BROKEN AMPOULE. USING REPLACEMENT KIT PART NO. 42284 REPLACE AMPOULE AND BURST DISC. SCREW CAP DOWN TIGHT AND REINSTALL ASSEMBLY.

TYCO FS&BP
MARINETTE, WI 54143-2542
715-735-7411

LABEL NO. 42280-05