

High Pressure Carbon Dioxide

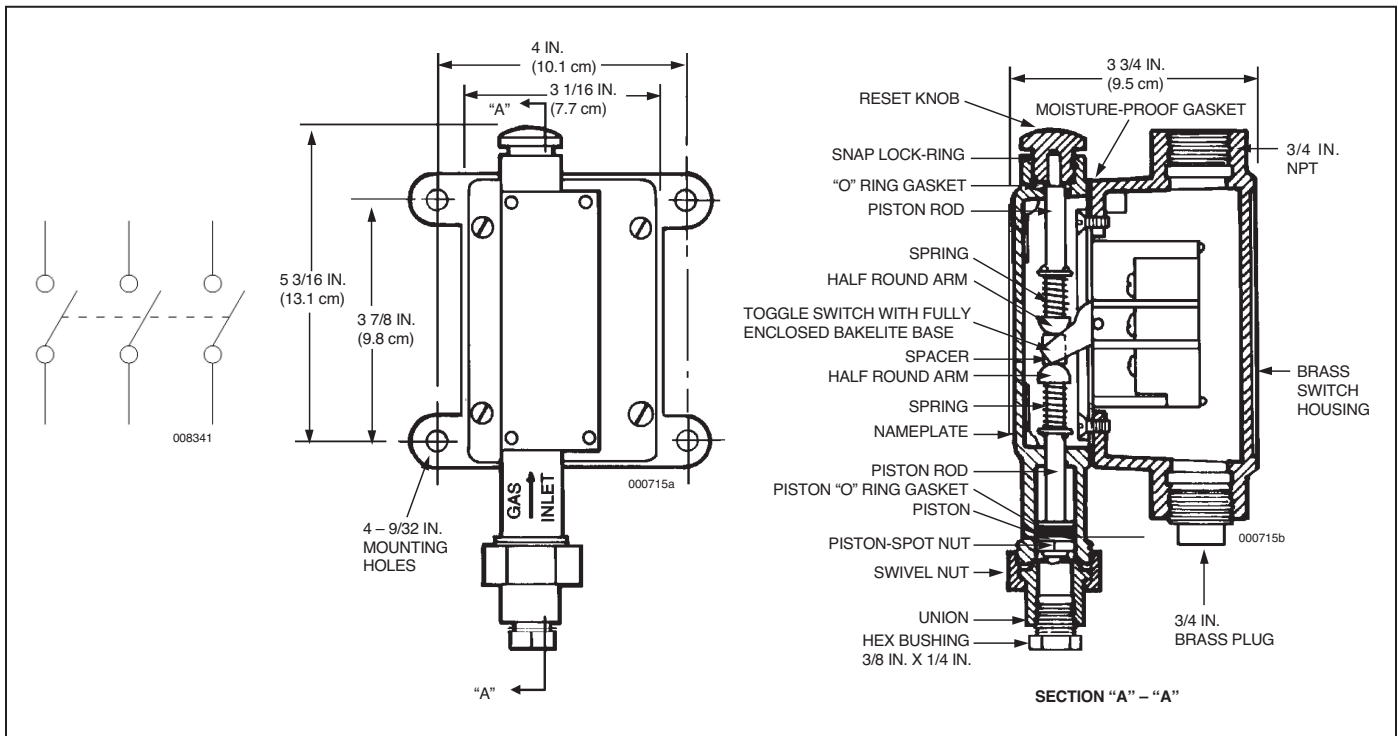
Pressure Switch – 3PST

Description

- ▶ The pressure switch is operated by the carbon dioxide pressure when the system is discharged. This pressure switch
- ▶ can be used to open or close three-phase electrical circuits to either shut down equipment or turn on lights or alarms. The three pole, single throw (3PST) pressure switch is constructed with a gasketed, water tight housing. The housing is constructed of malleable iron, painted red. A 1/4 in. NPT pressure inlet is used to connect the 1/4 in. pipe from the carbon dioxide system. Minimum operating pressure is
- ▶ 50 psi (3.5 bar).

Shipping Assembly Part No.	Description
42344	Pressure Switch – 3PST

Component	Material	Thread Size/Type	Electric Rating	Approvals
Pressure Switch 3PST	Switch: BAKELITE Housing: Malleable Iron Piston: Brass	Conduit Inlet: 3/4 in. NPT Female Pressure Inlet: 1/4 in. NPT Female	30A – 240 VAC 20A – 600 VAC 3 HP – 120 VAC 7.5 HP – 240 VAC 15 HP – 600 VAC 3 PHASE AC	UL (EX-2968); Listed for use with FM Approved systems



BAKELITE is a trademark of Union Carbide Corp.