

High Pressure Carbon Dioxide

Remote Cable Pull Equalizer

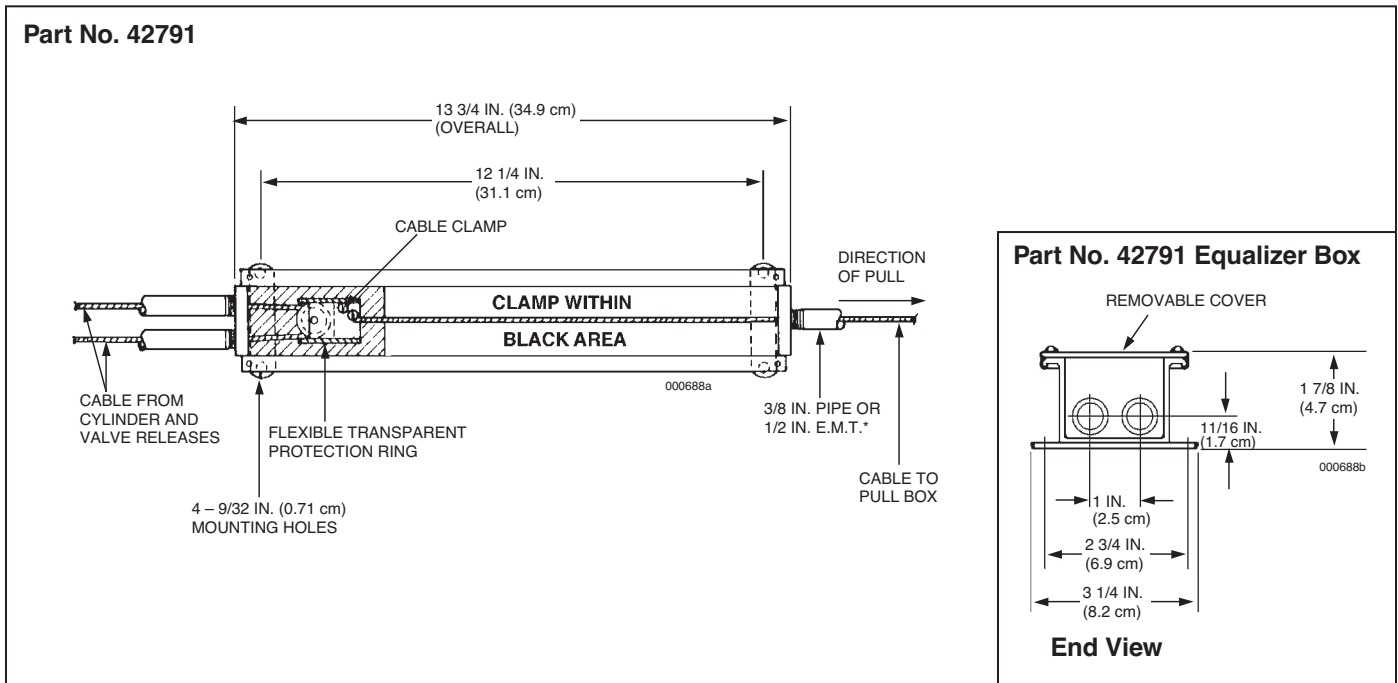
Description

The remote cable pull equalizer is used in systems where manual actuation of the cylinder valve and operation of a selector valve must be accomplished at the same time. The pull equalizer is mounted in the remote pull station cable line. By pulling the remote pull box, the cable attached to the pull equalizer will pull the internal cable clamp in the pull equalizer which in turn will pull the cables attached to the cylinder valve and selector valve, causing them to operate. Two styles of pull equalizers are available. Part No. 42791 is 13 3/4 in. (34.9 cm) long and Part No. 43168 is 20 3/4 in. (52.7 cm). Only the longest equalizer, Part No. 43168, can be used for valves utilizing

sectors. The inlet and outlet connections are threaded for 3/8 in. pipe. If 1/2 in. EMT conduit connections are required, adaptor Part No. 45780 is available.

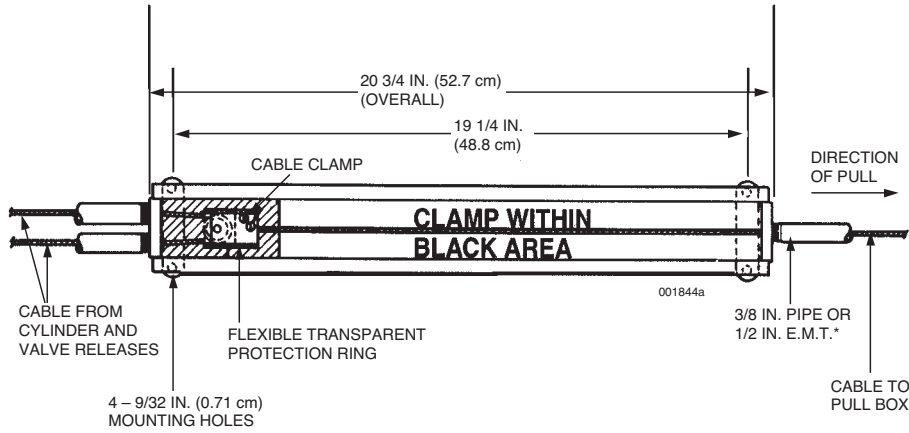
Shipping Assembly Part No.	Description
42791	Remote cable pull equalizer (short)
43168	Remote cable pull equalizer (long)

Component	Material	Thread Size/Type	Approvals
Pull Equalizer (short)	Steel	3/8 in. NPT Female	UL (EX-2968); Listed for use with FM Approved systems
Pull Equalizer (long)	Steel	3/8 in. NPT Female	UL (EX-2968); Listed for use with FM Approved systems

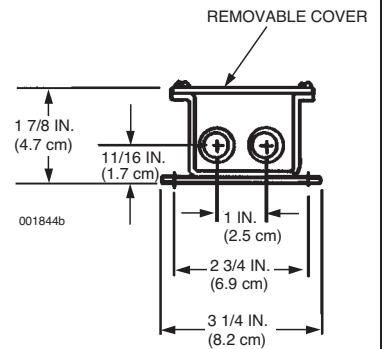


* Adaptors furnished for use with 1/2 in. E.M.T. – Part No. 45780

Part No. 43168



Part No. 43168 Equalizer Box



End View

* Adaptors furnished for use with 1/2 in. E.M.T. – Part No. 45780