

Wall Mounting Bracket

P/N: 31-194019-001



A UTC Fire & Security Company

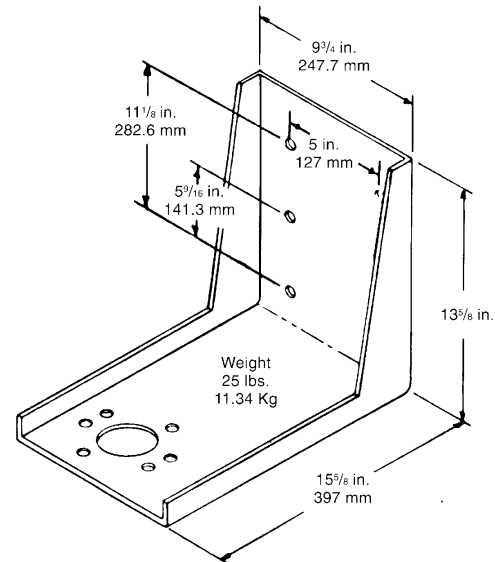
F-93-3119.1

DESCRIPTION

The Wall Bracket shown is used to mount Fenwal Modular Spherical FM-200™ Agent Storage containers.

INSTALLATION

The bracket may be mounted with in the position shown or inverted. Six bolt holes are provided for secure mounting, using 1/2 in. (12.7 mm) hardware. The bracket also may be welded to stanchions, beams or bulkheads. The mounting holes must be laid out to the dimensions shown below to a tolerance of 1/32 in. (.79 mm) on each hole location. Mount against a rigid structural member or wall.



Manufactured from 0.250 in. (6.4 mm) stock

This literature is provided for informational purposes only. KIDDE-FENWAL, INC. assumes no responsibility for the product's suitability for a particular application. The product must be properly applied to work correctly. If you need more information on this product, or if you have a particular problem or question, contact KIDDE-FENWAL, INC., Ashland, MA 01721. Telephone: (508) 881-2000.

Fenwal Protection Systems
A UTC Fire & Security Company
400 Main Street
Ashland, MA 01721
Ph: 508.881.2000
Fax: 508.881.8920
www.fenwalfire.com