

FM-200[®] Component Description

Check Valves, 1/2-Inch Thru 2-Inch



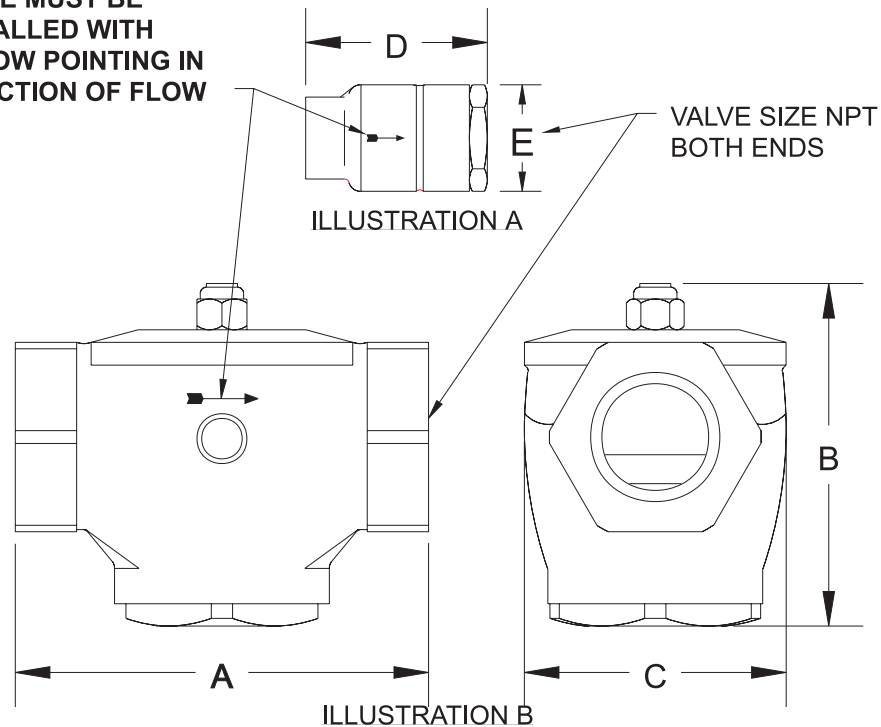
A UTC Fire & Security Company

F-93-5110

FEATURES

- For use with UL Listed, ULC Listed & FMRC Approved Systems

**VALVE MUST BE
INSTALLED WITH
ARROW POINTING IN
DIRECTION OF FLOW**



PART NUMBER	VALVE SIZE	ILLUSTRATION	A		B		C		D		E	
			IN	mm	IN	mm	IN	mm	IN	mm	IN	mm
800327	1/2"	A	-	-	-	-	-	-	3.34	85	2.00	51
800266	3/4"	A	-	-	-	-	-	-	3.34	85	2.00	51
800443	1"	A	-	-	-	-	-	-	3.97	101	3.18	81
800444	1-1/4"	A	-	-	-	-	-	-	3.97	101	3.18	81
870152	1-1/2"	B	7.50	151	6.28	160	4.75	121	-	-	-	-
870151	2"	B	7.50	151	6.28	160	4.75	121	-	-	-	-

Note: Valve must be installed with arrow pointing in direction of flow.

MATERIAL: BRASS

FM-200 is a Registered Trademark of Great Lakes Chemical Corporation.

This literature is provided for informational purposes only. KIDDE-FENWAL, INC. assumes no responsibility for the product's suitability for a particular application. The product must be properly applied to work correctly. If you need more information on this product, or if you have a particular problem or question, contact KIDDE-FENWAL, INC., Ashland, MA 01721. Telephone: (508) 881-2000.

Fenwal Protection Systems
A UTC Fire & Security Company
400 Main Street
Ashland, MA 01721
Ph: 508.881.2000
Fax: 508.881.8920
www.fenwalfire.com