

FM-200[®] Component Description

Check Valves, 2-1/2-Inch and 3-Inch

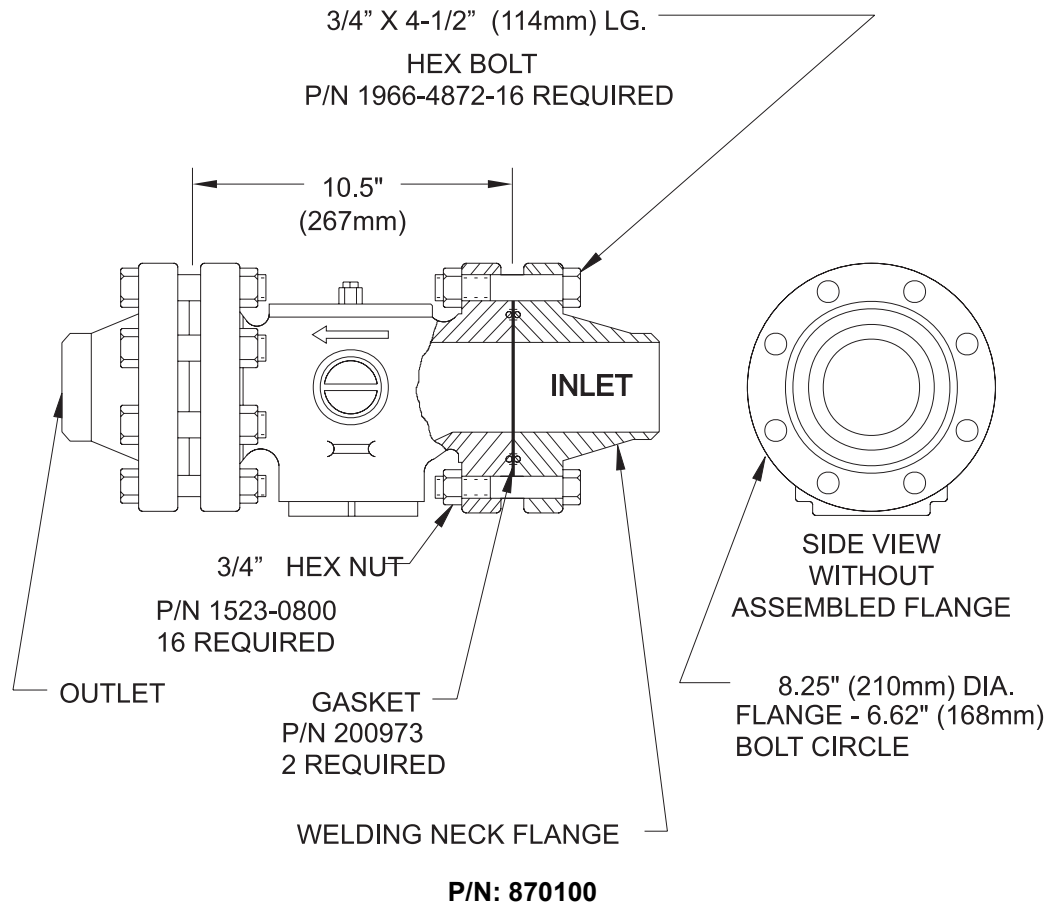


A UTC Fire & Security Company

F-93-5120

FEATURES

- For use with UL Listed, ULC Listed & FMRC Approved Systems



Note: Valve must be installed with arrow pointing in direction of flow.

MATERIALS

VALVE BODY: BRASS
GASKET: IRON
FLANGES, BOLTS, & NUTS: STEEL

ORDERING INFORMATION

Welding Neck Flange		
Check Valve Size	P/N	Qty Required
2-1/2 in.	263716	2
3 in.	6810-1200	2

FM-200 is a Registered Trademark of Great Lakes Chemical Corporation.

This literature is provided for informational purposes only. KIDDE-FENWAL, INC. assumes no responsibility for the product's suitability for a particular application. The product must be properly applied to work correctly. If you need more information on this product, or if you have a particular problem or question, contact KIDDE-FENWAL, INC., Ashland, MA 01721. Telephone: (508) 881-2000.