

FM-200

COMPONENT DESCRIPTION

Cylinder and Valve Assembly
125 lb. (56.7 kg) Capacity

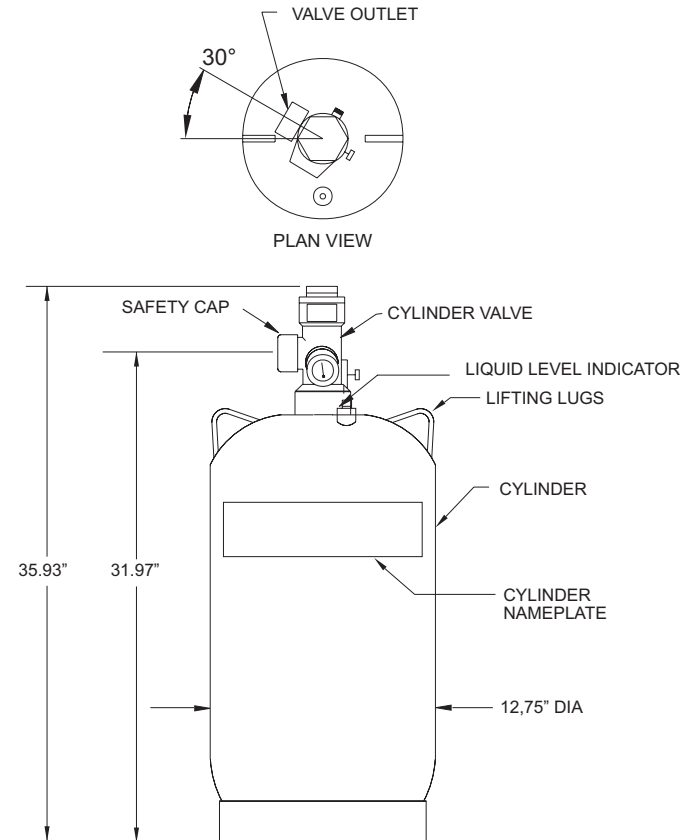
F-93-2030



A UTC Fire & Security Company

FEATURES

- For Use with UL Listed, ULC Listed & FMRC Approved Systems



Notes:

1. The safety cap must be installed on the valve outlet at all times except when the cylinders are connected to the system piping or being filled. The safety cap must not be removed from its chain.
2. See F-93-2070 for additional information.

ORDERING INFORMATION

P/N	DESCRIPTION
93-100121-001	W/LLI
93-100125-001	STD

MATERIALS

- Valve Body: Brass
- Cylinder: Steel, Painted Red

P/N: 93-10012X-001

This literature is provided for informational purposes only. KIDDE-FENWAL, INC. assumes no responsibility for the product's suitability for a particular application. The product must be properly applied to work correctly. If you need more information on this product, or if you have a particular problem or question, contact KIDDE-FENWAL, INC., Ashland, MA 01721. Telephone: (508) 881-2000.