

FM-200 COMPONENT DESCRIPTION



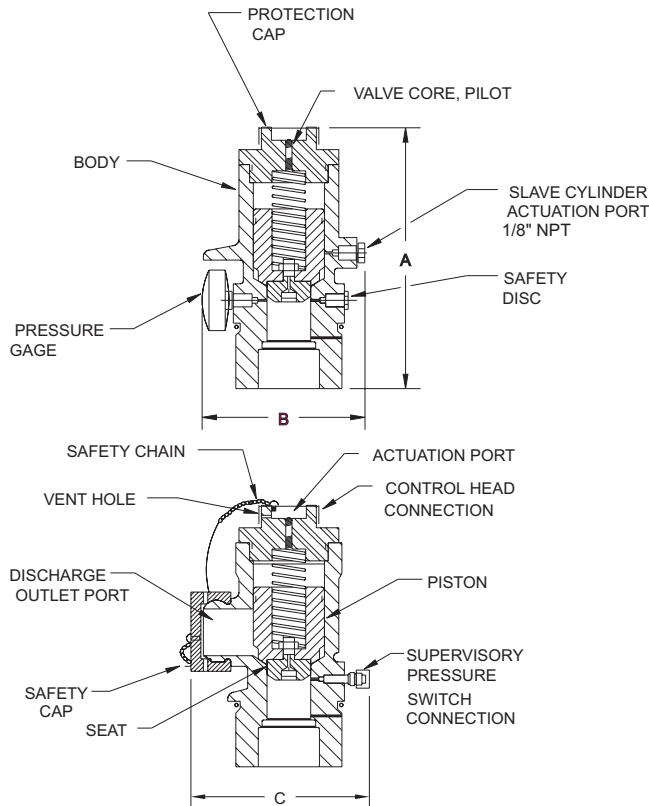
A UTC Fire & Security Company

Cylinder Valve

F-93-2080

FEATURES

- For Use with UL Listed, ULC Listed & FMRC Approved Systems



Equivalent Length in Schedule 40 Pipe	
1½"	16.7' of 1½"
2"	28.0' of 2"
2½"	3.5' of 2½"

Working Pressure: 360-609 PSIG
Proof Pressure: 1000 PSIG
Burst Pressure: 2000 PSIG
Temperature Range: 32°F to 130°F

PART NO.	VALVE SIZE	A	B	C	D	E	F
93-140000-000	1-1/2"	7.63"	4.83"	5.22"	754-900 PSI	242461	9.9 LB
93-150000-000	2"	8.80"	5.32"	6.28"	798-972 PSI	264925	15 LB
93-160000-000	2-1/2"	10.04"	6.30"	6.61"	798-972 PSI	264929	24 LB

D: SAFETY DISC RELIEF PRESSURE
 E: SAFETY DISC REPL. P/N
 F: WEIGHT

MATERIALS

- Valve Body: Brass
- Piston: Brass
- Finish: Natural
- Seat: Rubber

P/N: 93-1X0000-000

This literature is provided for informational purposes only. KIDDE-FENWAL, INC. assumes no responsibility for the product's suitability for a particular application. The product must be properly applied to work correctly. If you need more information on this product, or if you have a particular problem or question, contact KIDDE-FENWAL, INC., Ashland, MA 01721. Telephone: (508) 881-2000.

Fenwal Protection Systems
 A UTC Fire & Security Company
 400 Main Street
 Ashland, MA 01721
 Ph: 508.881.2000
 Fax: 508.881.8920
www.fenwalfire.com