

FM-200 COMPONENT DESCRIPTION



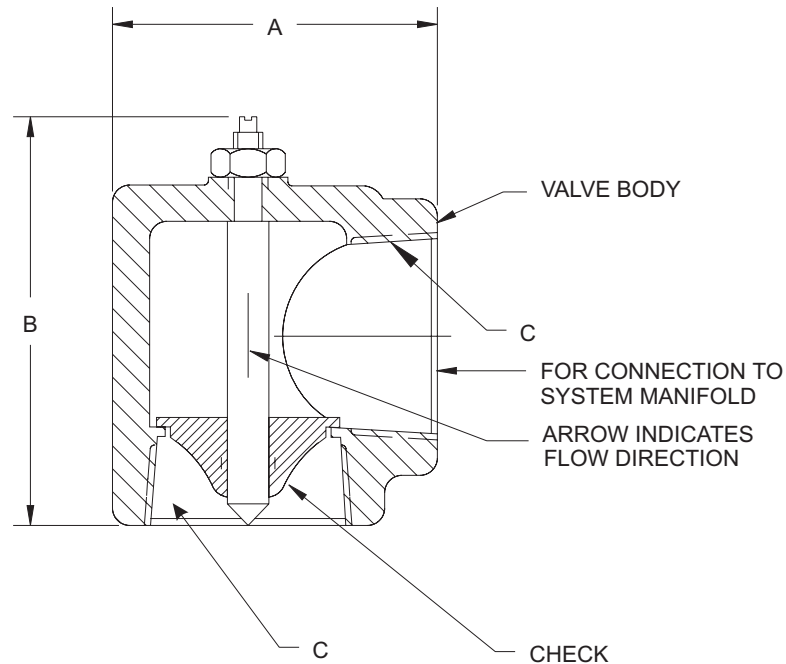
A UTC Fire & Security Company

Manifold EI-Check

F-93-2130

FEATURES

- For Use with UL Listed, ULC Listed & FMRC Approved Systems



PART NO.	SIZE	A*	B*	C*
877690	2	3.93	4.88	2" NPT
878743	2-1/2	4.69	5.76	2-1/2" NPT

MATERIALS

- Valve Body: Reinforced Rubber Hose
- Check: Stainless Steel
- Seat: Nitrile Rubber

Notes:

1. EI-Checks are to be installed at system manifold in vertical direction as shown.
2. Do not use as a main/reserve check valve with more than 1 main/reserve cylinder.

This literature is provided for informational purposes only. KIDDE-FENWAL, INC. assumes no responsibility for the product's suitability for a particular application. The product must be properly applied to work correctly. If you need more information on this product, or if you have a particular problem or question, contact KIDDE-FENWAL, INC., Ashland, MA 01721. Telephone: (508) 881-2000.