

FM-200 COMPONENT DESCRIPTION



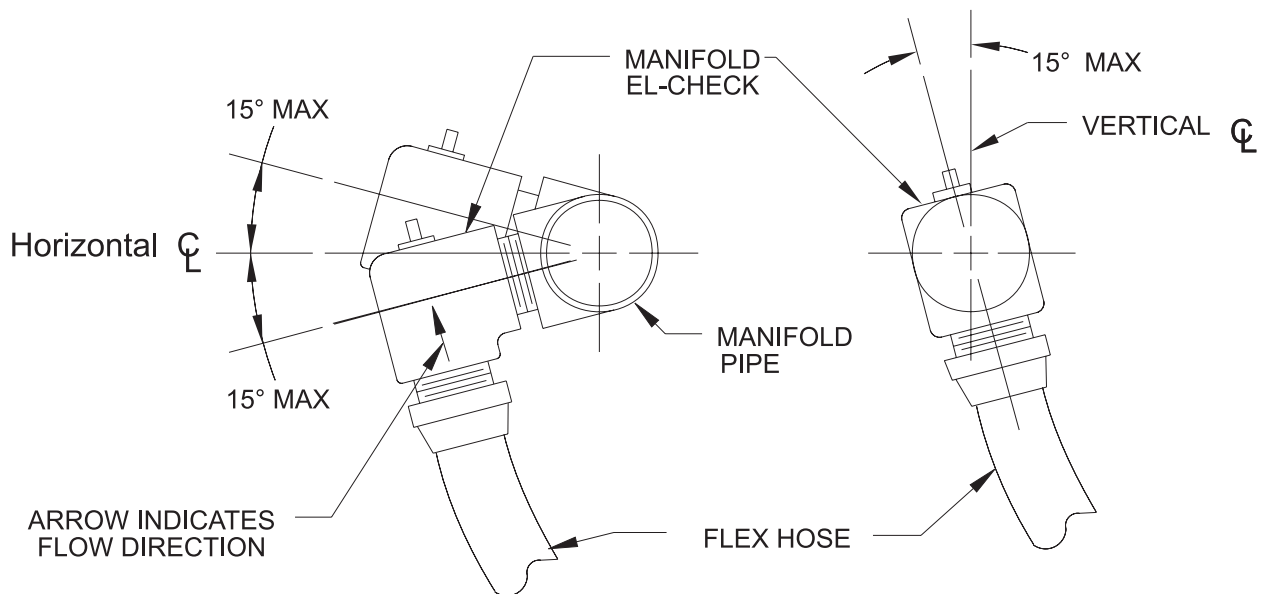
A UTC Fire & Security Company

Typical Installation of EI-Check

F-93-2131

FEATURES

- For Use with UL Listed, ULC Listed & FMRC Approved Systems



Notes:

1. EI-Check may be adjusted as shown to obtain a smooth radius in flexible discharge hose.
2. Install EI-Checks so that arrow is in direction of flow.

This literature is provided for informational purposes only. KIDDE-FENWAL, INC. assumes no responsibility for the product's suitability for a particular application. The product must be properly applied to work correctly. If you need more information on this product, or if you have a particular problem or question, contact KIDDE-FENWAL, INC., Ashland, MA 01721. Telephone: (508) 881-2000.