

# Initiator

for Spherical Agent Storage Containers  
P/N 31-199932-004



A UTC Fire & Security Company

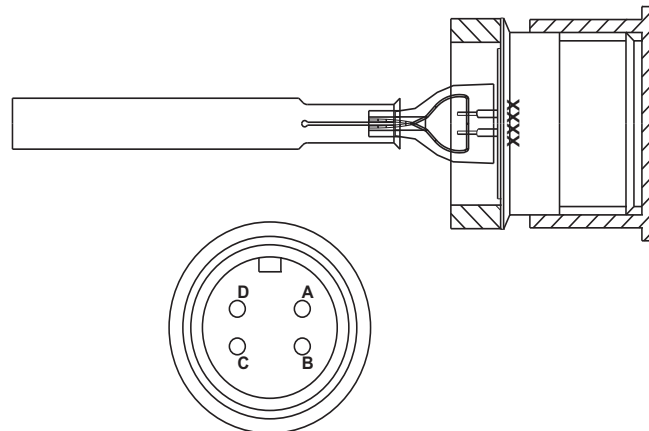
F-93-1932

## FEATURES

- UL & ULC Listed (EX4674)
- FM Approved
- -40°F to 130°F (-40°C to 54°C)  
Operational Temperature Range
- 4 Pin Threaded Connector
- Supplied with shorting device for safe and easy handling

## DESCRIPTION

The initiator is a compact releasing device, containing a small explosive charge, which allows the control panel to simultaneously discharge multiple spheres on a single releasing circuit.



VIEW SHOWN WITH  
SHORTING DEVICE REMOVED



**WARNING**

Handle and store in accordance with appropriate federal, state, and local regulations governing explosive materials.



**CAUTION**

Never handle, transport, store, or install the initiator assembly unless the shorting device supplied with the assembly is properly installed. Safety glasses or a face shield must be worn when handling these devices. Ensure that the fixture, tools, initiator and installer are all grounded to the same point. Improper handling, misuse or abuse of this device can cause bodily injury.

## OPERATION

A 2.0 amp electrical current activates the initiator assembly, which ruptures the sphere's burst disc valve. The initiator is destroyed by its operation and must be replaced whenever a system is actuated.

## INSTALLATION

The initiator assembly is inserted into a well in the agent storage container and connected to the cable assembly (29-126879-00X) provided with each sphere. Connect the initiator releasing circuit only to panels UL Listed (see Table 1) with this device. Reference the applicable Fenwal design manual for details on the proper installation and testing procedures for this device.

## MAINTENANCE

The initiator assembly shall be stored in accordance with federal, state and local regulations and stored at a 70-75°F (21-24°C) ambient temperature range. The service life varies with the maximum temperature to which it is exposed for an appreciable length of time. See Table 2. At the end of its service life, the initiator must be removed and destroyed in accordance with local regulations. A four digit date code is stamped on each initiator. The first two digits indicate the year of manufacture. The last two digits indicate the week (out of 52 weeks). If an initiator is installed in an agent storage container that has relieved as a result of an over-pressure, both the initiator and well assembly should be replaced regardless of the initiator's age. The initiator must be destroyed in accordance with local regulations.

## SPECIFICATIONS

<b>Weight:</b>	1.04 oz. (29.5 g)
<b>Length:</b>	3.19 in. (81 mm)
<b>Diameter:</b>	1.125 in. (285 mm)
<b>Primer Charge:</b>	60 mg Potassium Nitrate
<b>Base Charge:</b>	260 mg Lead Azide
<b>UN/NA Number:</b>	UN0255
<b>Primary Hazard Class/Division:</b>	1.4B

**Table 1: Compatible Releasing Panels**

Panel Name	Part Number	Comment
FenwalNET 6000	74-600000-XXX	Panel listed with Initiator to UL 894 9 <sup>th</sup> Edition
Remote Releasing Module	70-600000-001	
732	30-732001-X01	
FenwalNET 2000	74-200000-X0X	Panel listed with Initiator to UL 894 8 <sup>th</sup> Edition
3220	30-322001-0XX	
2320	30-232000-X0X	

**Table 2: Service Life**

Maximum Exposed Temperature		Service Life Years
°F	°C	
80	26	5
100	37	3
120	48	2
130	54	1

This literature is provided for informational purposes only. KIDDE-FENWAL, INC. assumes no responsibility for the product's suitability for a particular application. The product must be properly applied to work correctly. If you need more information on this product, or if you have a particular problem or question, contact KIDDE-FENWAL, INC., Ashland, MA 01721. Telephone: (508) 881-2000.



A UTC Fire & Security Company

400 Main Street  
Ashland, MA 01721  
Ph: 508.881.2000  
Fax: 508.881.8920  
www.fenwalfire.com