

FM-200[®] Component Description

Master Cylinder Adapter Kit

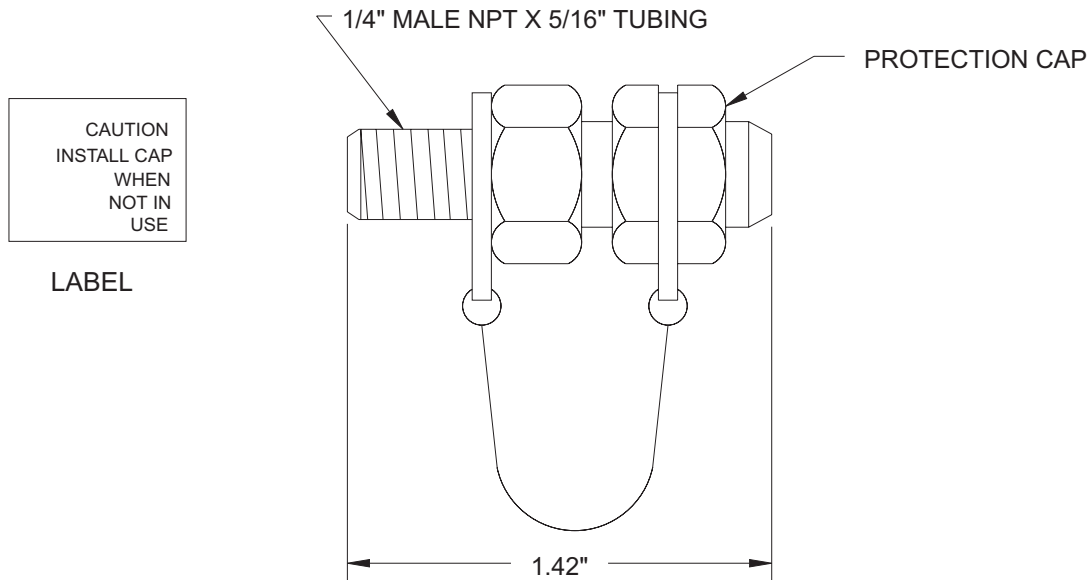


A UTC Fire & Security Company

F-93-5080

FEATURES

- For use with UL Listed, ULC Listed & FMRC Approved Systems



P/N: 844895

MATERIALS

ADAPTER & CAP: BRASS
CHAIN: STAINLESS STEEL
LABEL: MYLAR

FM-200 is a Registered Trademark of Great Lakes Chemical Corporation.

This literature is provided for informational purposes only. KIDDE-FENWAL, INC. assumes no responsibility for the product's suitability for a particular application. The product must be properly applied to work correctly. If you need more information on this product, or if you have a particular problem or question, contact KIDDE-FENWAL, INC., Ashland, MA 01721. Telephone: (508) 881-2000.

Fenwal Protection Systems
 A UTC Fire & Security Company
 400 Main Street
 Ashland, MA 01721
 Ph: 508.881.2000
 Fax: 508.881.8920
www.fenwalfire.com