

# FM-200<sup>®</sup> Component Description



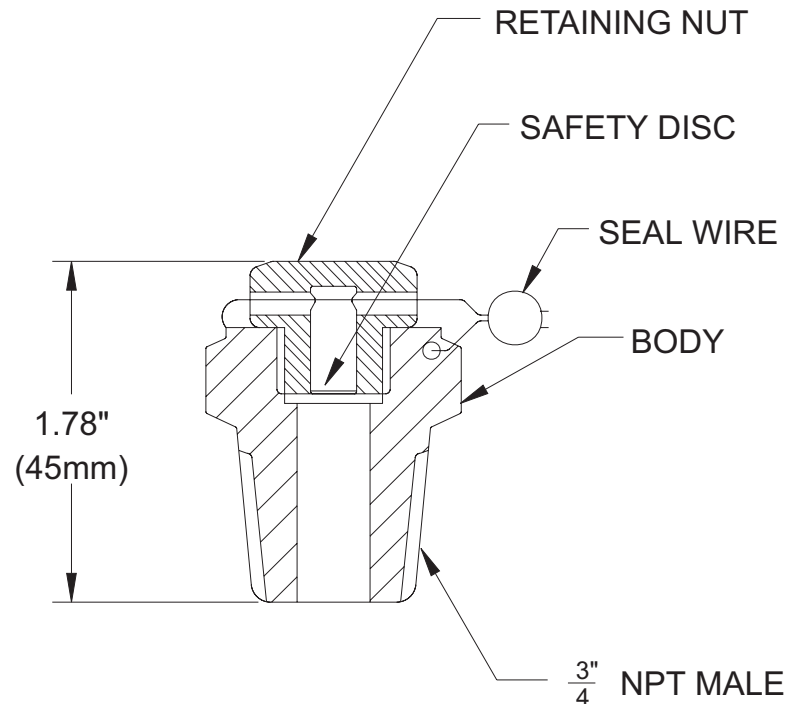
A UTC Fire & Security Company

## Safety Outlets

F-93-5170

### FEATURES

- For use with UL Listed, ULC Listed & FMRC Approved Systems



PART NUMBER	AGENT	PRESSURE RELIEF OPERATES AT	
		PSI	BAR
803242	N2/CO2	2400-2800	166-193
844346	FM-200	750-900	52-62

### MATERIALS

**BODY & RETAINING NUT: BRASS**

**SEAL WIRE: COPPER & LEAD**

FM-200 is a Registered Trademark of Great Lakes Chemical Corporation.

This literature is provided for informational purposes only. KIDDE-FENWAL, INC. assumes no responsibility for the product's suitability for a particular application. The product must be properly applied to work correctly. If you need more information on this product, or if you have a particular problem or question, contact KIDDE-FENWAL, INC., Ashland, MA 01721. Telephone: (508) 881-2000.

Fenwal Protection Systems  
A UTC Fire & Security Company  
400 Main Street  
Ashland, MA 01721  
Ph: 508.881.2000  
Fax: 508.881.8920  
[www.fenwalfire.com](http://www.fenwalfire.com)