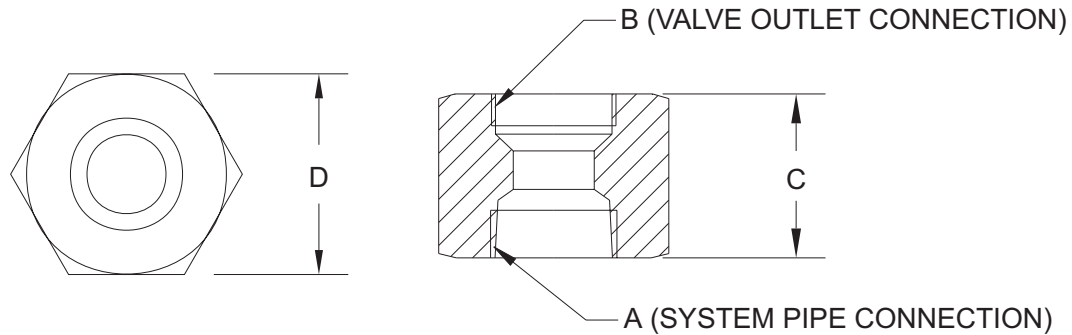


FM-200 COMPONENT DESCRIPTION

A UTC Fire & Security Company

Valve Outlet Adapters**F-93-2100****FEATURES**

- For Use with UL Listed, ULC Listed & FMRC Approved Systems

**ORDERING INFORMATION**

PART NO.	SIZE	A*	B*	C*	D*
283904	1-1/2	1-1/2" NPT	1.874 12UNJ	2.69	2.50 HEX
283905	2	2" NPT	2.500 12 UNJ	3.12	3.00 HEX
283906	2-1/2	2-1/2" NPT	3.000 12 UNJ	3.00	3.75 HEX

MATERIAL: BRASS

Note: For direct connection of cylinder valve to distribution piping.

P/N: 28390X

This literature is provided for informational purposes only. KIDDE-FENWAL, INC. assumes no responsibility for the product's suitability for a particular application. The product must be properly applied to work correctly. If you need more information on this product, or if you have a particular problem or question, contact KIDDE-FENWAL, INC., Ashland, MA 01721. Telephone: (508) 881-2000.

Fenwal Protection Systems
A UTC Fire & Security Company
400 Main Street
Ashland, MA 01721
Ph: 508.881.2000
Fax: 508.881.8920
www.fenwalfire.com