

Fenwal Engineered Fire Suppression System

Designed for use with 3M™ Novec™ 1230 Fire Protection Fluid

Floor Mounting Bracket Data Sheet

F-44-3119-2



A UTC Fire & Security Company

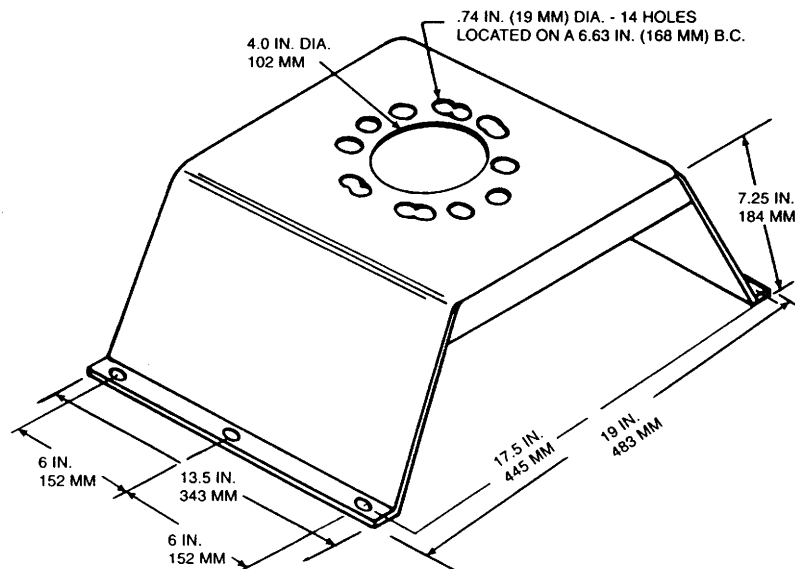
P/N: 31-194019-001

DESCRIPTION

The floor mounting bracket shown is used to mount Fenwal Modular Spherical Novec™ 1230 Agent Storage Containers.

INSTALLATION

The bracket is fastened to the floor through six 5/8-inch (16 mm) holes. Use 1/2-inch (13 mm) lag screws or bolts with lockwashers to prevent loosening. The agent storage container is then mounted on top of the bracket with the valve extending down through the 4-inch (102 mm) hole.



Fenwal is a registered trademark of Kidde-Fenwal, Inc.
3M and Novec are trademarks of 3M.
All other trademarks are property of their respective owners.

This literature is provided for informational purposes only. KIDDE-FENWAL, INC. assumes no responsibility for the product's suitability for a particular application. The product must be properly applied to work correctly.

If you need more information on this product, or if you have a particular problem or question, contact KIDDE-FENWAL, INC., Ashland, MA 01721. Telephone: (508) 881-2000.