

# Fenwal Engineered Fire Suppression System

Designed for use with 3M™ Novec™ 1230 Fire Protection Fluid

Wall Mounting Bracket Data Sheet

F-44-3119-1



A UTC Fire & Security Company

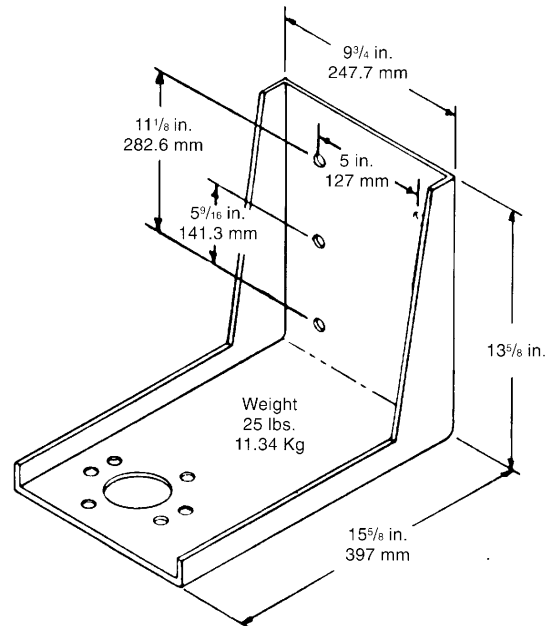
P/N: 31-194019-001

## DESCRIPTION

The Wall Bracket shown is used to mount spherical Fenwal Engineered Fire Suppression System containers.

## INSTALLATION

The bracket may be mounted with in the position shown or inverted. Six bolt holes are provided for secure mounting, using 1/2-inch. (13 mm) hardware. The bracket also may be welded to stanchions, beams or bulkheads. The mounting holes must be laid out to the dimensions shown below to a tolerance of 1/32 in. (.79 mm) on each hole location. Mount against a rigid structural member or wall.



Manufactured from  
1/4-inch (6 mm) stock

Fenwal is a registered trademark of Kidde-Fenwal, Inc.  
3M and Novec are trademarks of 3M.  
All other trademarks are property of their respective owners.

This literature is provided for informational purposes only. KIDDE-FENWAL, INC. assumes no responsibility for the product's suitability for a particular application. The product must be properly applied to work correctly.

If you need more information on this product, or if you have a particular problem or question, contact KIDDE-FENWAL, INC., Ashland, MA 01721. Telephone: (508) 881-2000.

Fenwal Protection Systems  
A UTC Fire & Security Company  
400 Main Street  
Ashland, MA 01721  
Ph: 508.881.2000  
Fax: 508.881.8920  
[www.fenwalfire.com](http://www.fenwalfire.com)