

# Fenwal Engineered Fire Suppression System

Designed for use with 3M™ Novec™ 1230 Fire Protection Fluid

Cylinder Wall Brackets Data Sheet

F-44-8140



A UTC Fire & Security Company

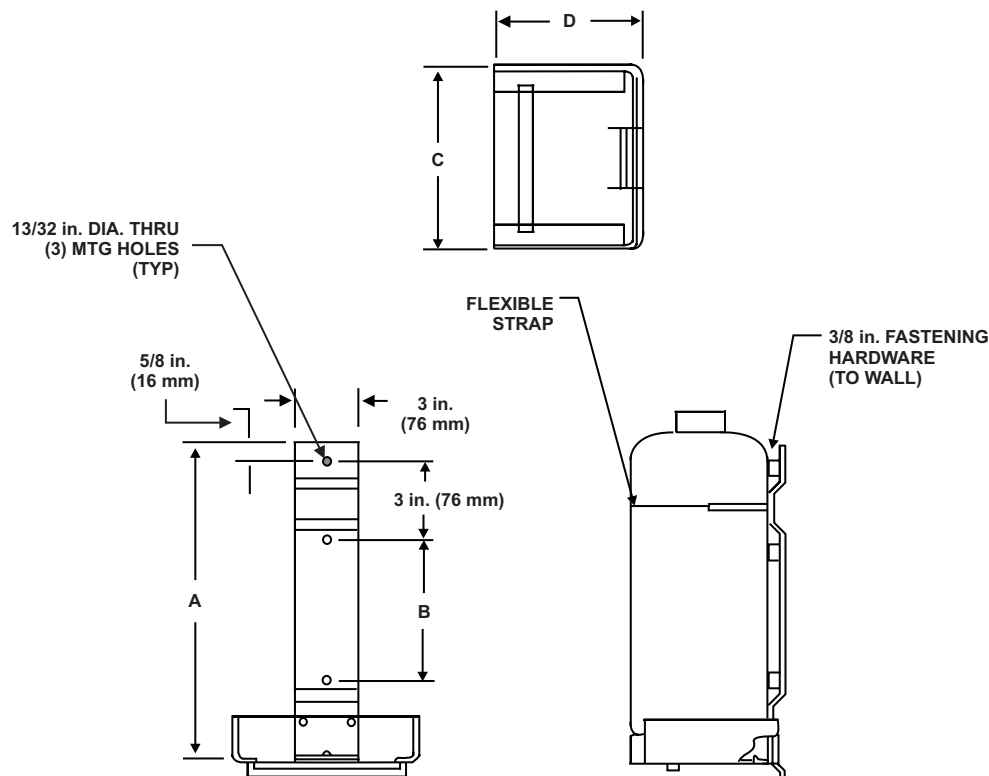
P/N: 48648X

## FEATURES

- For use with UL Listed, ULC Listed, and FM Approved Systems

## MATERIALS

- Steel, Zinc Painted SAE 1010



Part Number	Cylinder Cap	Dimension A	Dimension B	Dimension C	Dimension D
486485	10 lb. (4.5 kg)	8-5/8 in. (219 mm)	1-9/16 in. (40 mm)	7-11/16 in. (195 mm)	5-3/4 in. (146 mm)
486486	20 lb. (9.0 kg)	14-3/8 in. (365 mm)	7-5/16 in. (186 mm)	7-11/16 in. (195 mm)	5-3/4 in. (146 mm)
486487	40 lb. (18.1 kg)	13-1/8 in. (333 mm)	5-15/16 in. (151 mm)	9-3/4 in. (248 mm)	6-3/4 in. (172 mm)
486488	70 lb. (31.8 kg)	19-5/8 in. (498 mm)	12-7/16 in. (316 mm)	9-3/4 in. (248 mm)	6-3/4 in. (172 mm)

Fenwal is a registered trademark of Kidde-Fenwal, Inc.  
3M and Novec are trademarks of 3M.  
All other trademarks are property of their respective owners.

This literature is provided for informational purposes only. KIDDE-FENWAL, INC. assumes no responsibility for the product's suitability for a particular application. The product must be properly applied to work correctly.  
If you need more information on this product, or if you have a particular problem or question, contact KIDDE-FENWAL, INC., Ashland, MA 01721. Telephone: (508) 881-2000.

Fenwal Protection Systems  
A UTC Fire & Security Company  
400 Main Street  
Ashland, MA 01721  
Ph: 508.881.2000  
Fax: 508.881.8920  
[www.fenwalfire.com](http://www.fenwalfire.com)