

Fenwal Engineered Fire Suppression System

Designed for use with 3M™ Novec™ 1230 Fire Protection Fluid

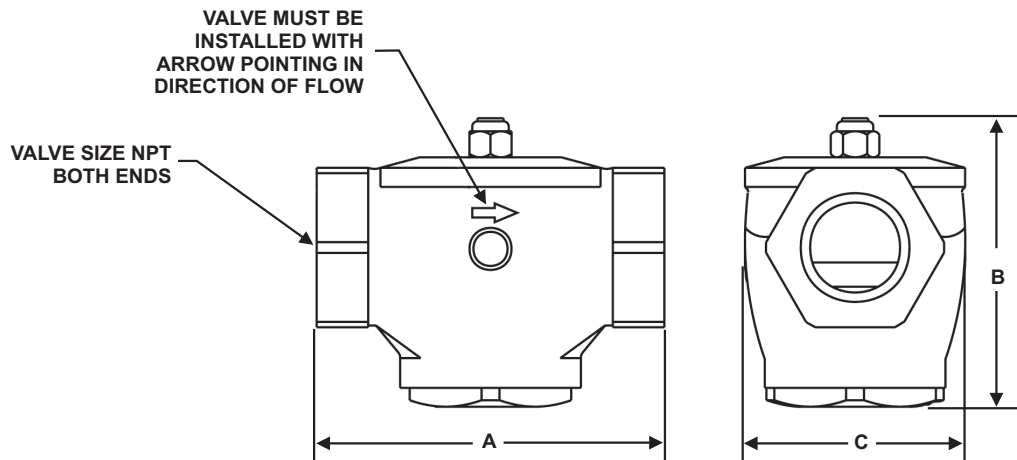
Check Valves, 1-1/2-inch and 2-inch Data Sheet

F-44-5110



FEATURES

- For use with UL Listed, ULC Listed, and FM Approved Systems



Part Number	Valve Size	Dimension A	Dimension B	Dimension C	Equivalent Length
81-870152-000	1-1/2 in. (38 mm)	7-1/2 in. (190.5 mm)	6-1/4 in. (159 mm)	4-3/4 in. (121 mm)	57 ft. (17.4 m)
81-870151-000	2 in. (51 mm)	7-1/2 in. (190.5 mm)	6-1/4 in. (159 mm)	4-3/4 in. (121 mm)	165 ft. (50.3 m)

MATERIALS

- Brass

Fenwal is a registered trademark of Kidde-Fenwal, Inc.
3M and Novec are trademarks of 3M.
All other trademarks are property of their respective owners.

This literature is provided for informational purposes only. KIDDE-FENWAL, INC. assumes no responsibility for the product's suitability for a particular application. The product must be properly applied to work correctly.
If you need more information on this product, or if you have a particular problem or question, contact KIDDE-FENWAL, INC., Ashland, MA 01721. Telephone: (508) 881-2000.

Fenwal Protection Systems
400 Main Street
Ashland, MA 01721
Ph: 508.881.2000
Fax: 508.881.8920
www.fenwalfire.com