

Fenwal Engineered Fire Suppression System

Designed for use with 3M™ Novec™ 1230 Fire Protection Fluid

Check Valves, 2-1/2 inch and 3 inch Data Sheet

F-44-5120

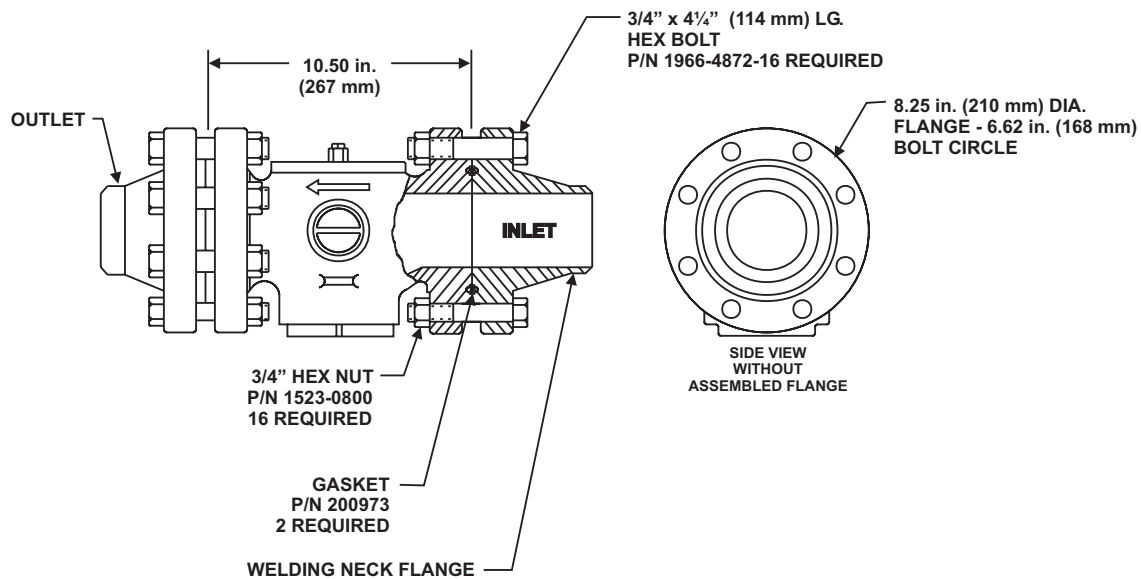


A UTC Fire & Security Company

P/N: 870100

FEATURES

- For use with UL Listed, ULC Listed, and FM Approved Systems



Note: Valve must be installed with arrow pointing in direction of flow.

MATERIALS

- Valve Body: Brass
- Gasket: Iron
- Flanges, Bolts, and Nuts: Steel

ORDERING INFORMATION

Welding Neck Flange			
Part Number	Check Valve Size	Qty. Required	Equivalent Length
263716	2-1/2 in. (64 mm)	2	268 ft. (81.7 m)
6810-1200	3 in. (76 mm)	2	795 ft. (242.3 m)

Fenwal is a registered trademark of Kidde-Fenwal, Inc.
3M and Novec are trademarks of 3M.
All other trademarks are property of their respective owners.

This literature is provided for informational purposes only. KIDDE-FENWAL, INC. assumes no responsibility for the product's suitability for a particular application. The product must be properly applied to work correctly.

If you need more information on this product, or if you have a particular problem or question, contact KIDDE-FENWAL, INC., Ashland, MA 01721. Telephone: (508) 881-2000.