

# Fenwal Engineered Fire Suppression System

Designed for use with 3M™ Novec™ 1230 Fire Protection Fluid

Lever Operated Control Head Data Sheet

F-44-6010

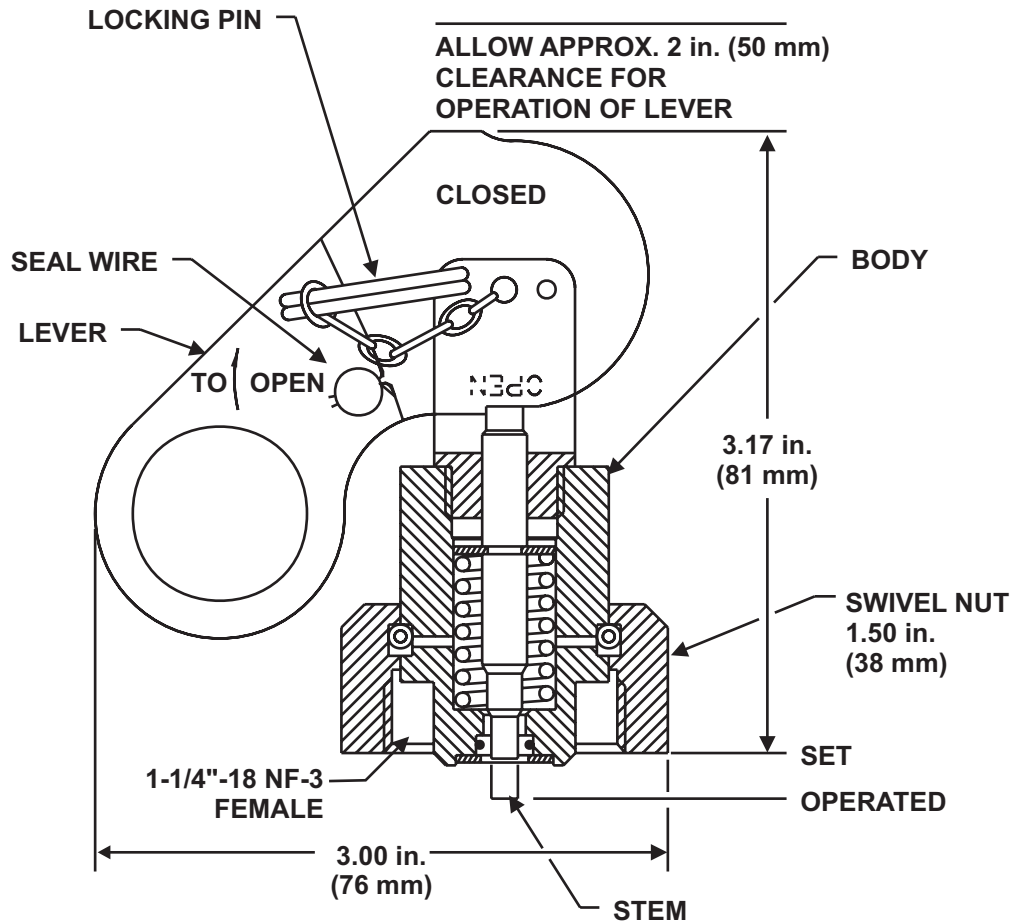


A UTC Fire & Security Company

P/N: 870652

## FEATURES

- For use with UL Listed, ULC Listed, and FM Approved Systems



## MATERIALS

- Lever: Stainless Steel
- Body: Brass

Fenwal is a registered trademark of Kidde-Fenwal, Inc.  
 3M and Novec are trademarks of 3M.  
 All other trademarks are property of their respective owners.

This literature is provided for informational purposes only. KIDDE-FENWAL, INC. assumes no responsibility for the product's suitability for a particular application. The product must be properly applied to work correctly.

If you need more information on this product, or if you have a particular problem or question, contact KIDDE-FENWAL, INC., Ashland, MA 01721. Telephone: (508) 881-2000.