

# Fenwal Engineered Fire Suppression System

Designed for use with 3M™ Novec™ 1230 Fire Protection Fluid

Corner Pulleys Data Sheet

F-44-6080



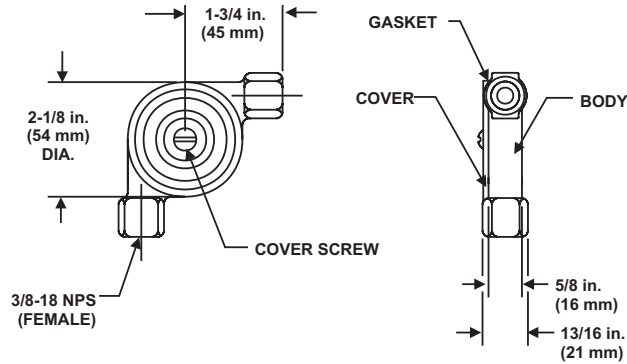
A UTC Fire & Security Company

P/N: 803808 and 844648

## FEATURES

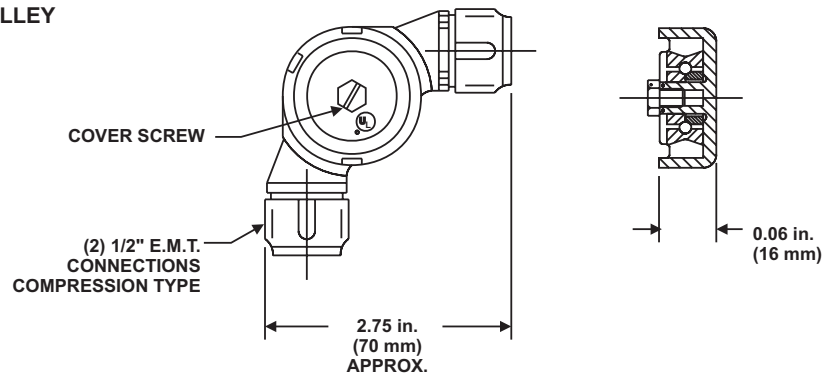
- For use with UL Listed, ULC Listed, and FM Approved Systems

P/N: 803808  
WATERTIGHT  
CORNER PULLEY



MATERIAL  
COVER AND BODY: BRASS  
GASKET: RUBBER

P/N: 844648  
1/2" E.M.T.  
CORNER PULLEY



MATERIAL  
COVER AND BODY: BRASS  
GASKET: RUBBER

Fenwal is a registered trademark of Kidde-Fenwal, Inc.  
3M and Novec are trademarks of 3M.  
All other trademarks are property of their respective owners.

This literature is provided for informational purposes only. KIDDE-FENWAL, INC. assumes no responsibility for the product's suitability for a particular application. The product must be properly applied to work correctly.  
If you need more information on this product, or if you have a particular problem or question, contact KIDDE-FENWAL, INC., Ashland, MA 01721. Telephone: (508) 881-2000.

Fenwal Protection Systems  
A UTC Fire & Security Company  
400 Main Street  
Ashland, MA 01721  
Ph: 508.881.2000  
Fax: 508.881.8920  
[www.fenwalfire.com](http://www.fenwalfire.com)