

Fenwal Engineered Fire Suppression System

Designed for use with 3M™ Novec™ 1230 Fire Protection Fluid

Cylinder Recharge Adapters Data Sheet

F-44-7145

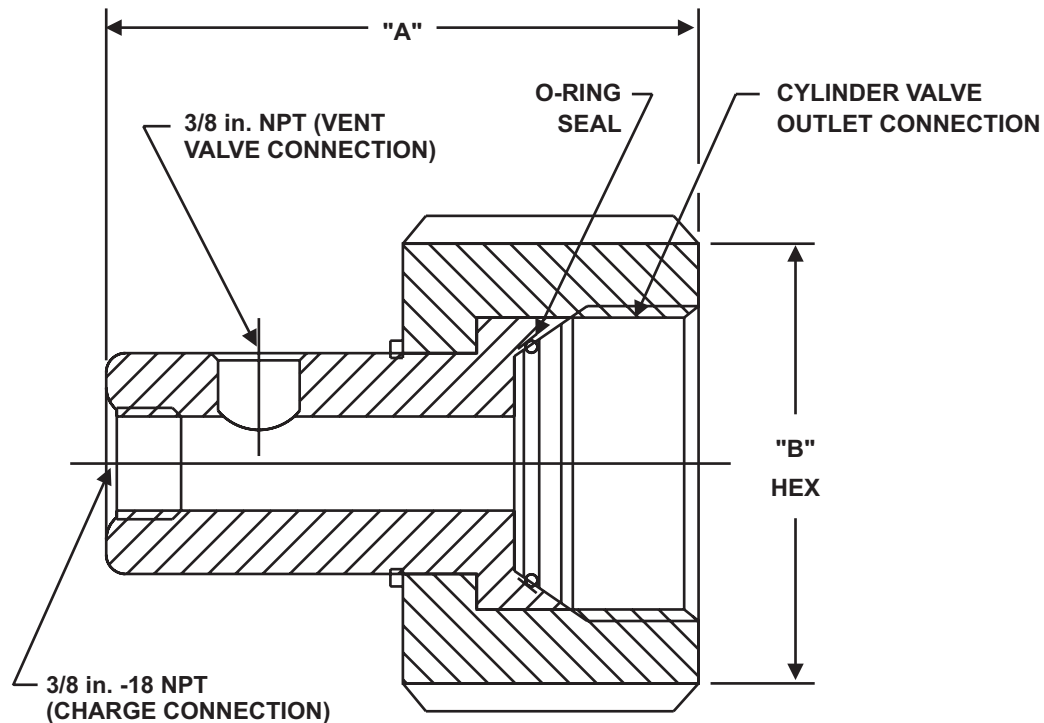


A UTC Fire & Security Company

P/N: 878757 and 878758

FEATURES

- For use with UL Listed, ULC Listed, and FM Approved Systems



MATERIALS

- Zinc Plated Steel

ORDERING INFORMATION

Part Number	Cylinder Size	Dimensions	
		A	B
878757	10 to 125 lb. (4.5 to 56.7 kg)	3-7/32 in. (82 mm)	2-1/2 in. (64 mm)
878758	200 and 350 lb. (90.7 and 158.8 kg)	4-1/16 in. (103 mm)	3-1/4 in. (83 mm)

Note: Fill adapter not required for cylinders that use a 3-inch valve (600 and 900 lb. (272 and 408 kg) cylinders).

Fenwal is a registered trademark of Kidde-Fenwal, Inc.
3M and Novec are trademarks of 3M.
All other trademarks are property of their respective owners.

This literature is provided for informational purposes only. KIDDE-FENWAL, INC. assumes no responsibility for the product's suitability for a particular application. The product must be properly applied to work correctly.

If you need more information on this product, or if you have a particular problem or question, contact KIDDE-FENWAL, INC., Ashland, MA 01721. Telephone: (508) 881-2000.