

# Fenwal Engineered Fire Suppression System

Designed for use with 3M™ Novec™ 1230 Fire Protection Fluid

Cylinder Valve Data Sheet

F-44-2080

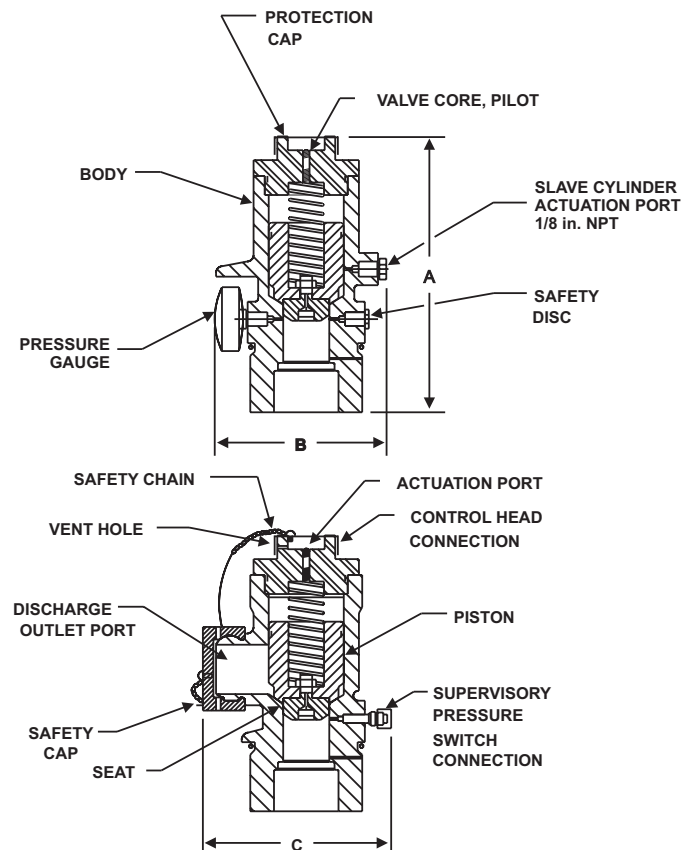


A UTC Fire & Security Company

P/N: 44-1X0000-000

## FEATURES

- For use with UL Listed, ULC Listed, and FM Approved Systems



## TECHNICAL DATA

- Working Pressure: 360 to 609 PSIG
- Proof Pressure: 1000 PSIG
- Burst Pressure: 2000 PSIG
- Temperature Range: 0°F to 130°F (-19°C to 54°C)

## MATERIALS

- Valve Body: Brass
- Piston: Steel, Painted Red
- Finish: Natural
- Seat: Rubber

Part Number	Valve Size	A	B	C	D	E	F
44-140000-000	1-1/2 in.	7-5/8 in. (194 mm)	4-53/64 in. (123 mm)	5-7/32 in. (133 mm)	754-900 PSI (52 - 62 bar)	242461	9.9 lb. (4.5 kg)
44-150000-000	2 in.	8-13/16 in. (224 mm)	5-5/16 in. (135 mm)	6-9/32 in. (159 mm)	798-972 PSI (55 - 67 bar)	264925	15 lb. (6.8 kg)

Fenwal is a registered trademark of Kidde-Fenwal, Inc.  
3M and Novec are trademarks of 3M.  
All other trademarks are property of their respective owners.

This literature is provided for informational purposes only. KIDDE-FENWAL, INC. assumes no responsibility for the product's suitability for a particular application. The product must be properly applied to work correctly.

If you need more information on this product, or if you have a particular problem or question, contact KIDDE-FENWAL, INC., Ashland, MA 01721. Telephone: (508) 881-2000.