

# Fenwal Engineered Fire Suppression System

Designed for use with 3M™ Novec™ 1230 Fire Protection Fluid

Discharge Indicators Data Sheet

F-44-5160

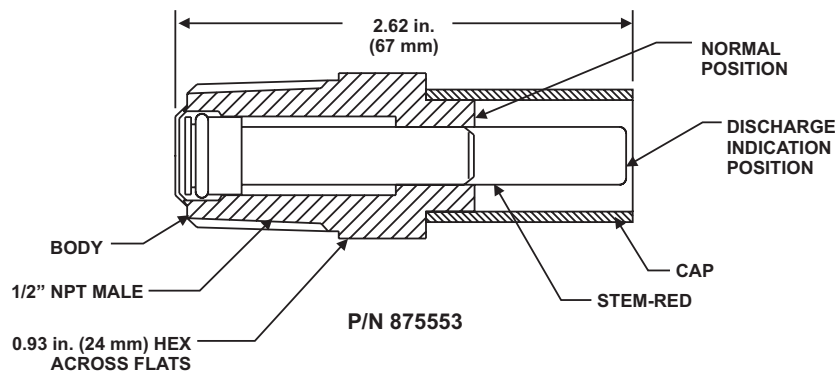
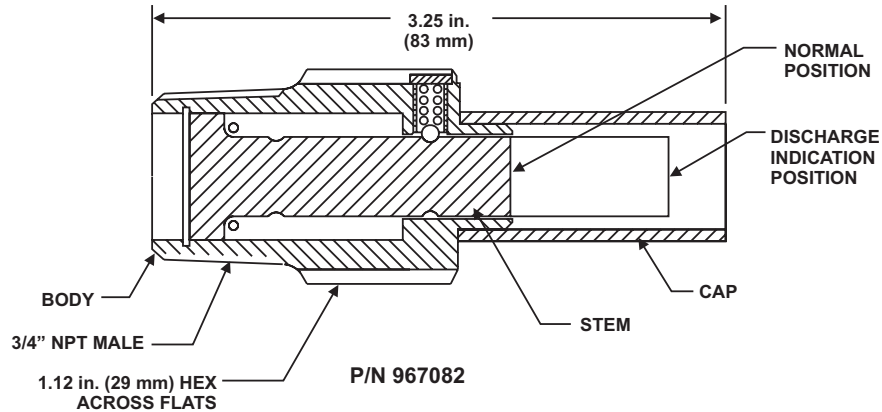


A UTC Fire & Security Company

P/N: 967082 and 875553

## FEATURES

- For use with UL Listed, ULC Listed, and FM Approved Systems



## MATERIALS

- Body (P/N 967082): Brass
- Body (P/N 875553): Aluminum
- Caps: Clear Cellulose Acetate

Part Number	Size	Description
967082	3/4 in. (19 mm)	Brass
875553	1/2 in. (13 mm)	Aluminum

Fenwal is a registered trademark of Kidde-Fenwal, Inc.  
3M and Novec are trademarks of 3M.  
All other trademarks are property of their respective owners.

This literature is provided for informational purposes only. KIDDE-FENWAL, INC. assumes no responsibility for the product's suitability for a particular application. The product must be properly applied to work correctly.

If you need more information on this product, or if you have a particular problem or question, contact KIDDE-FENWAL, INC., Ashland, MA 01721. Telephone: (508) 881-2000.