

Fenwal Engineered Fire Suppression System

Designed for use with 3M™ Novec™ 1230 Fire Protection Fluid

Dual Pull Equalizer Component Sheet

F-44-6110

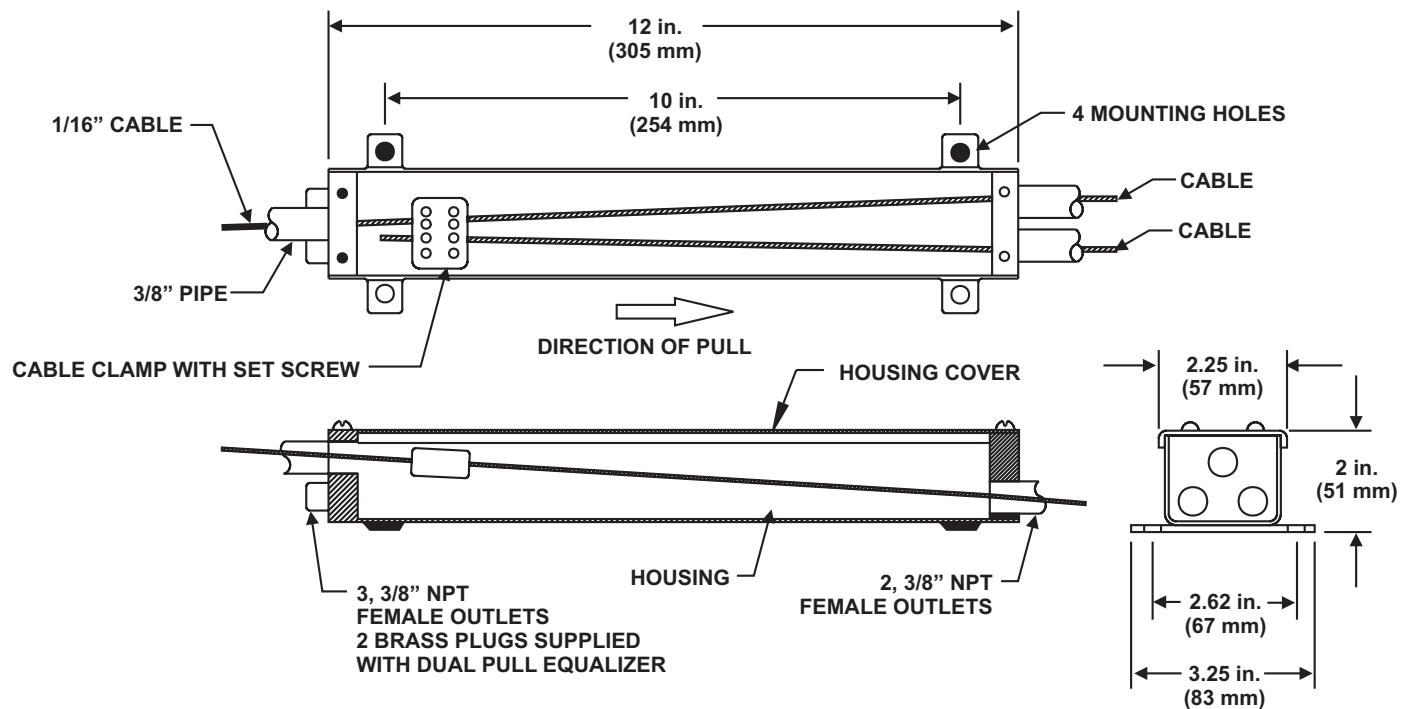


A UTC Fire & Security Company

P/N: 840051

FEATURES

- For use with UL Listed, ULC Listed, and FM Approved Systems



Note: Use 3/32-inch HEX key for cable pulley set screws.

Fenwal is a registered trademark of Kidde-Fenwal, Inc.
3M and Novec are trademarks of 3M.
All other trademarks are property of their respective owners.

This literature is provided for informational purposes only. KIDDE-FENWAL, INC. assumes no responsibility for the product's suitability for a particular application. The product must be properly applied to work correctly.

If you need more information on this product, or if you have a particular problem or question,