

Fenwal Engineered Fire Suppression System

Designed for use with 3M™ Novec™ 1230 Fire Protection Fluid

Pendant Nozzles Data Sheet

F-44-1940-1



A UTC Fire & Security Company

P/N: 44-1940-1

FEATURES

- 180° and 360° Styles
- Six Pipe Sizes: 1/2-inch to 2-inch NPT
- Specially designed for Novec™ 1230
- Uniform Agent Distribution
- Custom Orifice Sizing
- UL Listed
- FM Approved

DESCRIPTION

These nozzles are used in Novec™ 1230 Fire Suppression Systems to disperse Novec 1230 uniformly throughout the hazard area. Patterns direct discharged Novec 1230 parallel to the ceiling. Nozzles are available to discharge in either 180° or 360° patterns, depending on location within the hazard area. A selection of orifices is available for each nozzle size to provide correct sizing for appropriate agent distribution.

Nozzles are constructed of brass, nozzle sizes are 1/2, 3/4, 1, 1-1/4, 1-1/2 and 2 inch NPT. See Ordering Information for sizes and part numbers.

DESIGN/INSTALLATION

The nozzles are equipped with female National Pipe Threads and provide an equal distribution of agent throughout the protected area. Nozzles should be mounted in a downward vertical position only. The placement of the nozzles for adequate coverage to all portions of the hazard area is determined by considering the indicated throw of each nozzle. When using large nozzles in an area where smaller nozzles have a sufficient throw, care should be used to avoid any unnecessary and unwanted turbulence.

ARCHITECT/ENGINEER SPECIFICATION

This Novec 1230 Fire Suppression System shall use discharge nozzles that distributed the Novec 1230 uniformly throughout the protected area. The nozzle shall be Fenwal P/N 44-1940XX-XXX.

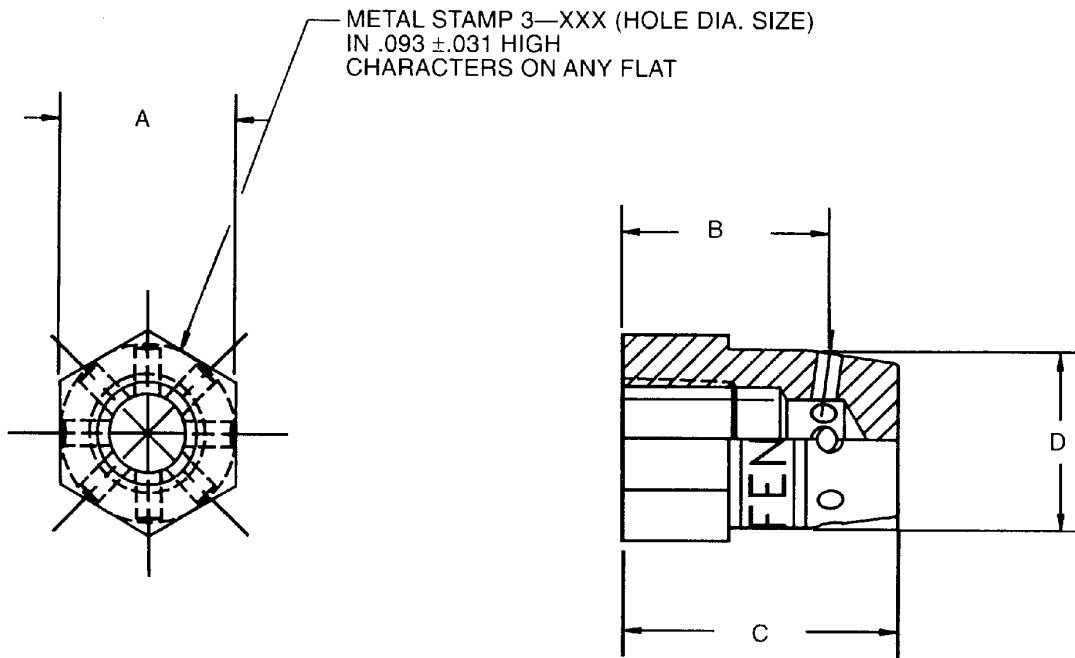


Figure 1. 360° Nozzle

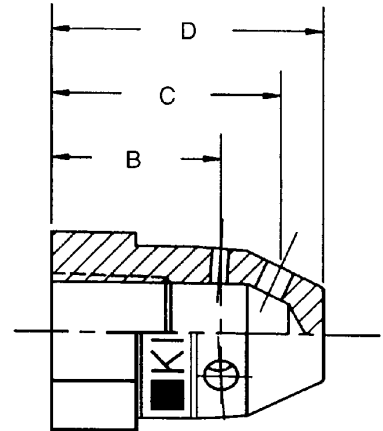
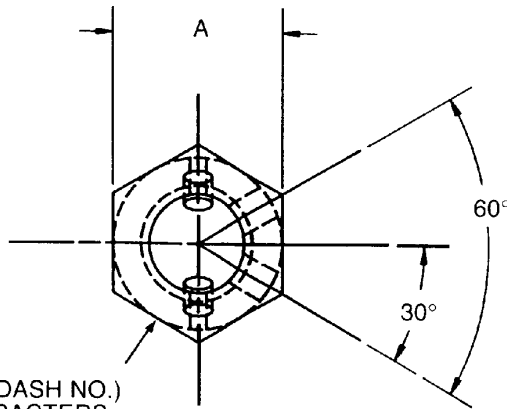


Figure 2. 180° Nozzle

OUTLINE DIMENSIONS



360° Nozzle				
Pipe Size	A	B	C	D
1/2 in. (13 mm)	1-1/4 in. (32 mm)	1-15/32 in. (37 mm)	1-15/16 in. (49 mm)	1-1/4 in. (32 mm)
3/4 in. (19 mm)	1-1/2 in. (38 mm)	1-37/64 in. (40 mm)	2-1/8 in. (54 mm)	1-1/2 in. (38 mm)
1 in. (25 mm)	1-3/4 in. (44 mm)	1-23/32 in. (44 mm)	2-3/8 in. (60 mm)	1-3/4 in. (44 mm)
1-1/4 in. (32 mm)	2-1/4 in. (57 mm)	1-61/64 in. (50 mm)	2-3/4 in. (70 mm)	2-1/4 in. (57 mm)
1-1/2 in. (38 mm)	2-1/2 in. (64 mm)	2 in. (51 mm)	2-15/16 in. (75 mm)	2-1/2 in. (64 mm)
2 in. (51 mm)	3 in. (76 mm)	2-1/16 in. (52 mm)	3-1/8 in. (79 mm)	3 in. (76 mm)



METAL STAMP 3—XXX (DASH NO.)
 IN .093 ± .031 HIGH CHARACTERS
 ON ANY FLAT

180° Nozzle				
Pipe Size	A	B	C	D
1/2 in. (13 mm)	1-1/4 in. (32 mm)	1-1/4 in. (32 mm)	1-11/16 in. (43 mm)	2 in. (51 mm)
3/4 in. (19 mm)	1-1/2 in. (38 mm)	1-3/8 in. (35 mm)	1-61/64 in. (49 mm)	2-19/64 in. (58 mm)
1 in. (25 mm)	1-3/4 in. (44 mm)	1-9/16 in. (40 mm)	2-7/32 in. (56 mm)	2-43/64 in. (68 mm)
1-1/4 in. (32 mm)	2-1/4 in. (57 mm)	1-3/4 in. (45 mm)	2-21/32 in. (67 mm)	3-1/4 in. (83 mm)
1-1/2 in. (38 mm)	2-1/2 in. (64 mm)	1-61/64 in. (49 mm)	2-61/64 in. (75 mm)	3-5/8 in. (92 mm)
2 in. (51 mm)	3 in. (76 mm)	1-31/32 in. (50 mm)	2-7/8 in. (73 mm)	3-21/32 in. (93 mm)

Fenwal is a registered trademark of Kidde-Fenwal, Inc.
3M and are trademarks of 3M.
All other trademarks are property of their respective owners.

This literature is provided for informational purposes only. KIDDE-FENWAL, INC. assumes no responsibility for the product's suitability for a particular application. The product must be properly applied to work correctly. If you need more information on this product, or if you have a particular problem or question, contact KIDDE-FENWAL, INC., Ashland, MA 01721. Telephone: (508) 881-2000.



A UTC Fire & Security Company

400 Main Street
Ashland, MA 01721
Ph: 508.881.2000
Fax: 508.881.8920
www.fenwalfire.com