

Fenwal Engineered Fire Suppression System

Designed for use with 3M™ Novec™ 1230 Fire Protection Fluid

Pressure Trip Data Sheet

F-44-5200

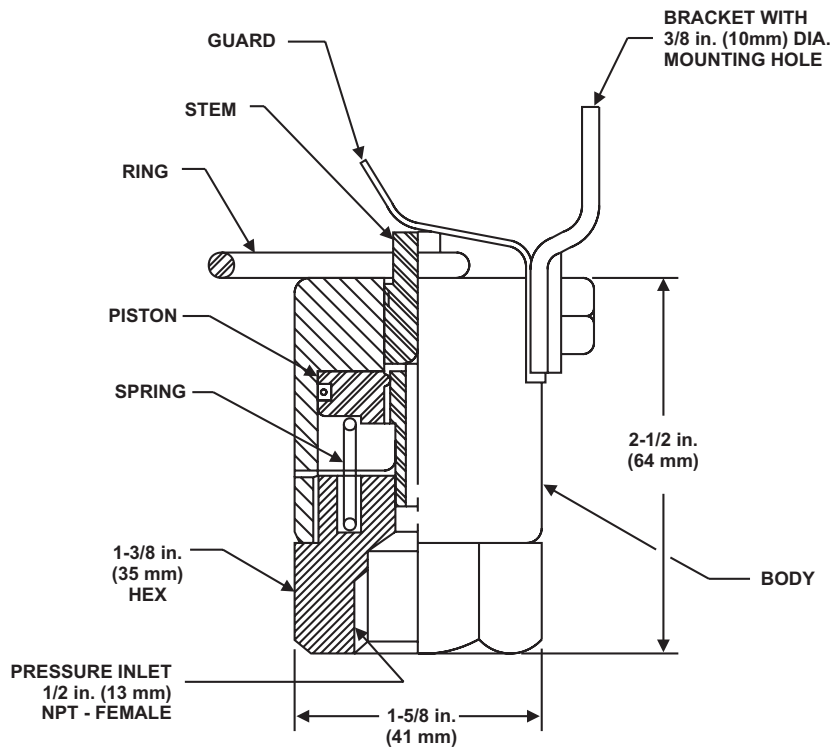


A UTC Fire & Security Company

P/N: 874290

FEATURES

- For use with UL Listed, ULC Listed, and FM Approved Systems



MATERIALS

- Body, Bracket, and Piston: Brass
- Guard, Stem, Ring, and Spring: Stainless Steel

TECHNICAL DATA

- Maximum Load on Ring: 100 lb. (45 kg)
- Minimum Nominal Operating Pressure: 50 PSI (3.5 bar)

Fenwal is a registered trademark of Kidde-Fenwal, Inc.
3M and Novec are trademarks of 3M.
All other trademarks are property of their respective owners.

This literature is provided for informational purposes only. KIDDE-FENWAL, INC. assumes no responsibility for the product's suitability for a particular application. The product must be properly applied to work correctly.

If you need more information on this product, or if you have a particular problem or question, contact KIDDE-FENWAL, INC., Ashland, MA 01721. Telephone: (508) 881-2000.