

Fenwal Engineered Fire Suppression System

Designed for use with 3M™ Novec™ 1230 Fire Protection Fluid

Pressure Trip Data Sheet

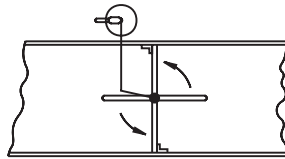
F-44-5201



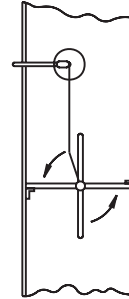
A UTC Fire & Security Company

FEATURES

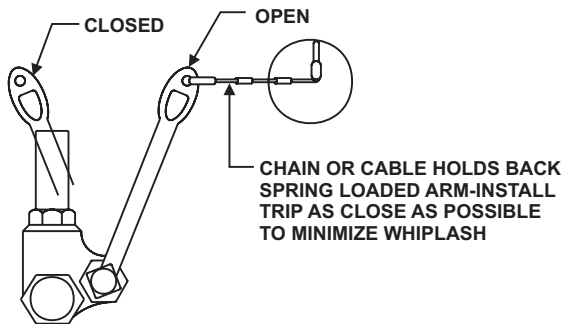
- For use with UL Listed, ULC Listed, and FM Approved Systems



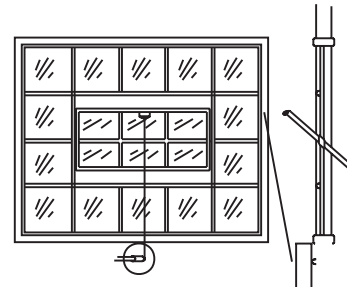
HORIZONTAL DUCT DAMPER



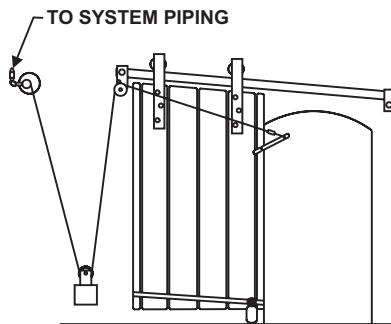
VERTICAL DUCT DAMPER



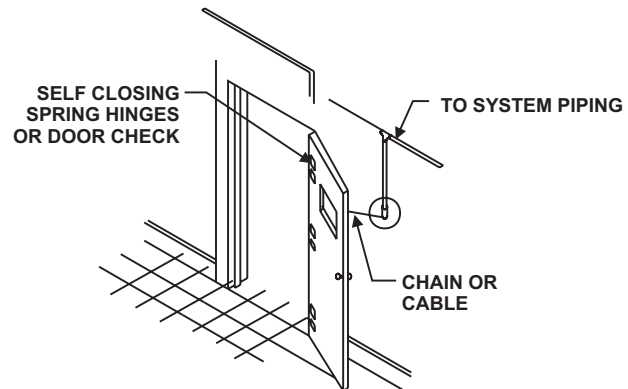
SPRING LOADED LIQUID OR GAS SHUTOFF VALVE



WINDOW-EITHER WEIGHTED OR OFF BALANCE



SLIDING DOOR



SWINGING DOOR-SELF CLOSING

Fenwal is a registered trademark of Kidde-Fenwal, Inc.
3M and Novec are trademarks of 3M.
All other trademarks are property of their respective owners.

This literature is provided for informational purposes only. KIDDE-FENWAL, INC. assumes no responsibility for the product's suitability for a particular application. The product must be properly applied to work correctly.

If you need more information on this product, or if you have a particular problem or question, contact KIDDE-FENWAL, INC., Ashland, MA 01721. Telephone: (508) 881-2000.

Fenwal Protection Systems
A UTC Fire & Security Company
400 Main Street
Ashland, MA 01721
Ph: 508.881.2000
Fax: 508.881.8920
www.fenwalfire.com