

# Fenwal Engineered Fire Suppression System

Designed for use with 3M™ Novec™ 1230 Fire Protection Fluid

Safety Outlets Data Sheet

F-44-5170

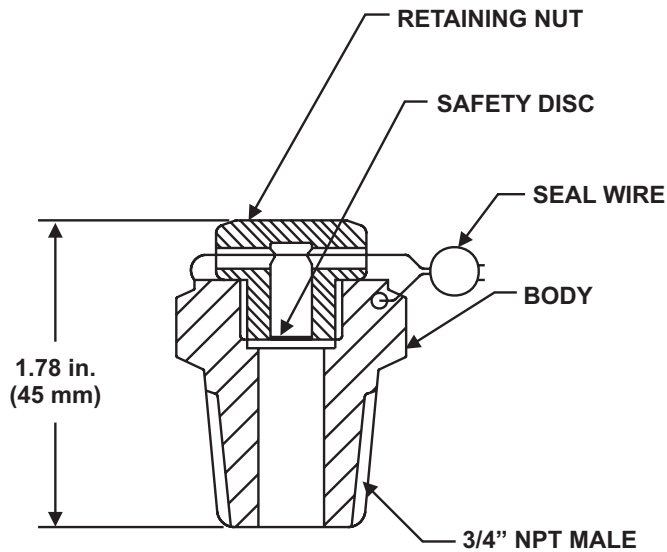


A UTC Fire & Security Company

P/N: 803242 and 844346

## FEATURES

- For use with UL Listed, ULC Listed, and FM Approved Systems



Part Number	Agent	Pressure Relief Operates At:
803242	Nitrogen/CO2	2400 to 2800 PSI (166 to 193 bar)
844363	FM-200	750 to 900 PSI (52 to 62 bar)

## MATERIALS

- Body and Retaining Nut: Brass
- Seal Wire: Copper and Lead

Fenwal is a registered trademark of Kidde-Fenwal, Inc.  
3M and Novec are trademarks of 3M.  
All other trademarks are property of their respective owners.

This literature is provided for informational purposes only. KIDDE-FENWAL, INC. assumes no responsibility for the product's suitability for a particular application. The product must be properly applied to work correctly.

If you need more information on this product, or if you have a particular problem or question, contact KIDDE-FENWAL, INC., Ashland, MA 01721. Telephone: (508) 881-2000.