

Fenwal Engineered Fire Suppression System

Designed for use with 3M™ Novec™ 1230 Fire Protection Fluid

Stop (Directional) Valves, 1/2-inch through 2-inch Data Sheet

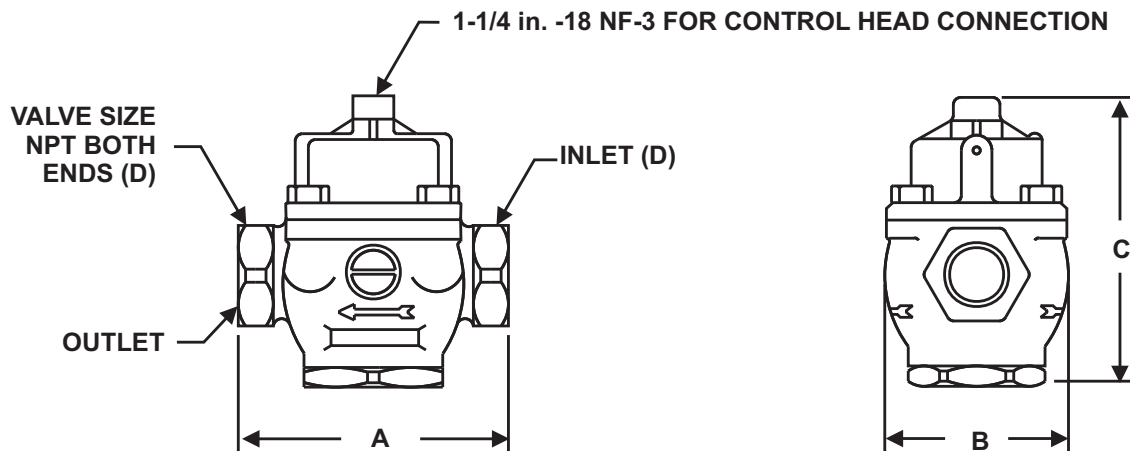
F-44-5130



A UTC Fire & Security Company

FEATURES

- For use with UL Listed, ULC Listed, and FM Approved Systems



Notes:

- Valve must be installed with arrow pointing in direction of flow.
- Valve must be installed in horizontal or vertical pipe run.

MATERIALS

- Body: Brass

Part Number	Valve Size	Pipe Thread "D"	"A"		"B"		"C"		Weight	
			in.	mm	in.	mm	in.	mm	lb.	kg
81-870023-000	1/2 in.	1/2 in. - 14 NPT	3.75	95	2.50	64	4.68	119	4	1.81
81-870022-000	3/4 in.	3/4 in. - 14 NPT	4.25	108	2.81	71	5.68	144	5	2.27
81-870122-000	1 in.	1 in. - 11.5 NPT	5.50	140	3.62	92	6.87	175	13	5.90
81-870032-000	1-1/4 in.	1-1/4 in. - 11.5 NPT	5.50	140	3.62	92	6.87	175	13	5.90
81-800123-000	1-1/2 in.	1-1/2 in. - 11.5 NPT	7.50	191	4.75	121	8.43	214	32	14.57
81-800049-000	2 in.	2 in. - 11.5 NPT	7.50	191	4.75	121	8.43	214	31	14.06

Fenwal is a registered trademark of Kidde-Fenwal, Inc.
 3M and Novec are trademarks of 3M.
 All other trademarks are property of their respective owners.

This literature is provided for informational purposes only. KIDDE-FENWAL, INC. assumes no responsibility for the product's suitability for a particular application. The product must be properly applied to work correctly.

If you need more information on this product, or if you have a particular problem or question, contact KIDDE-FENWAL, INC., Ashland, MA 01721. Telephone: (508) 881-2000.

Fenwal Protection Systems
 A UTC Fire & Security Company
 400 Main Street
 Ashland, MA 01721
 Ph: 508.881.2000
 Fax: 508.881.8920
www.fenwalfire.com