

Fenwal Engineered Fire Suppression System

Designed for use with 3M™ Novec™ 1230 Fire Protection Fluid

4-inch Stop (Directional) Valve Data Sheet

F-44-5150

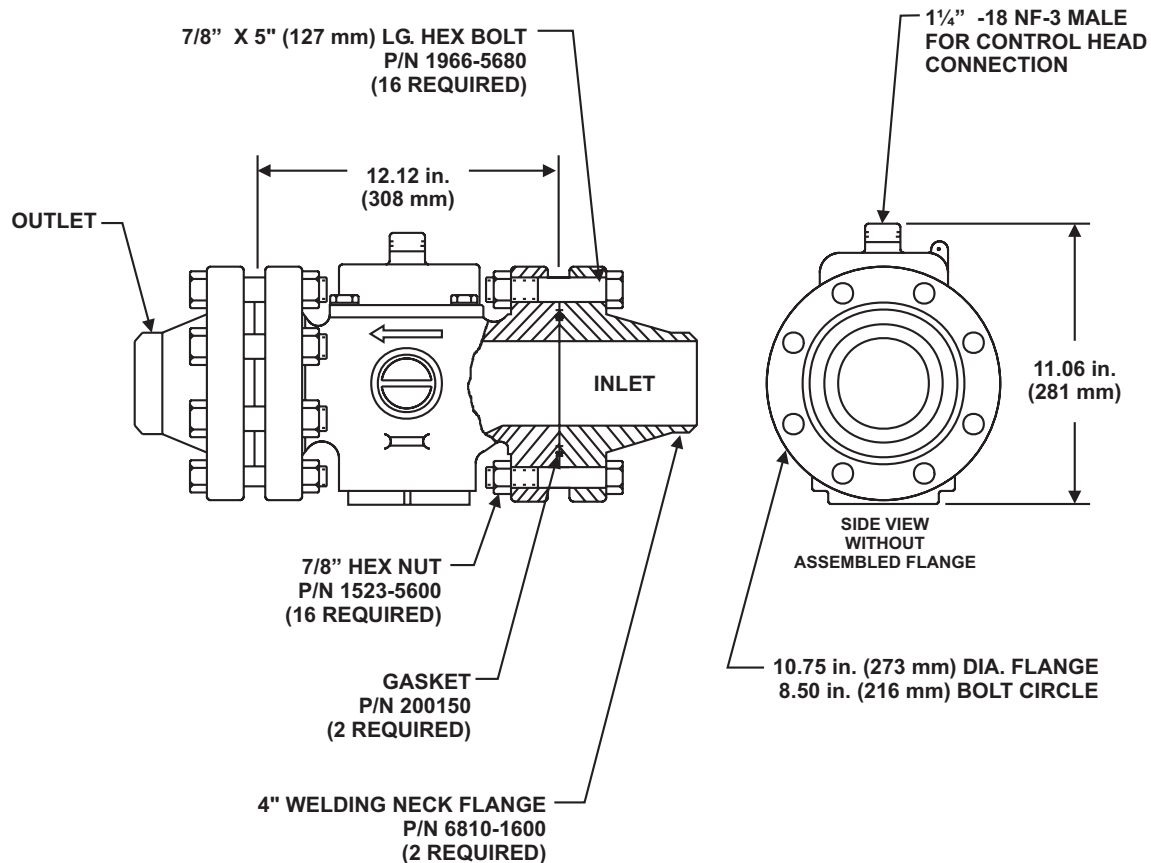


A UTC Fire & Security Company

P/N: 890208

FEATURES

- For use with UL Listed, ULC Listed, and FM Approved Systems



- Notes:**
1. Valve must be installed with arrow pointing in direction of flow.
 2. Equivalent length = 206 ft. (63 m)

MATERIALS

- Valve Body: Brass
- Gasket: Iron
- Flanges, Bolts, and Nuts: Steel

Fenwal is a registered trademark of Kidde-Fenwal, Inc.
3M and Novec are trademarks of 3M.
All other trademarks are property of their respective owners.

This literature is provided for informational purposes only. KIDDE-FENWAL, INC. assumes no responsibility for the product's suitability for a particular application. The product must be properly applied to work correctly.

If you need more information on this product, or if you have a particular problem or question, contact KIDDE-FENWAL, INC., Ashland, MA 01721. Telephone: (508) 881-2000.